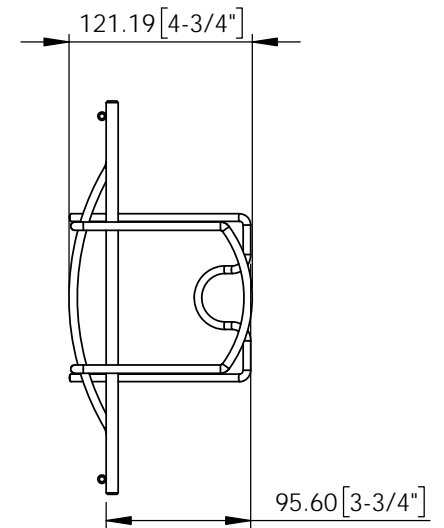
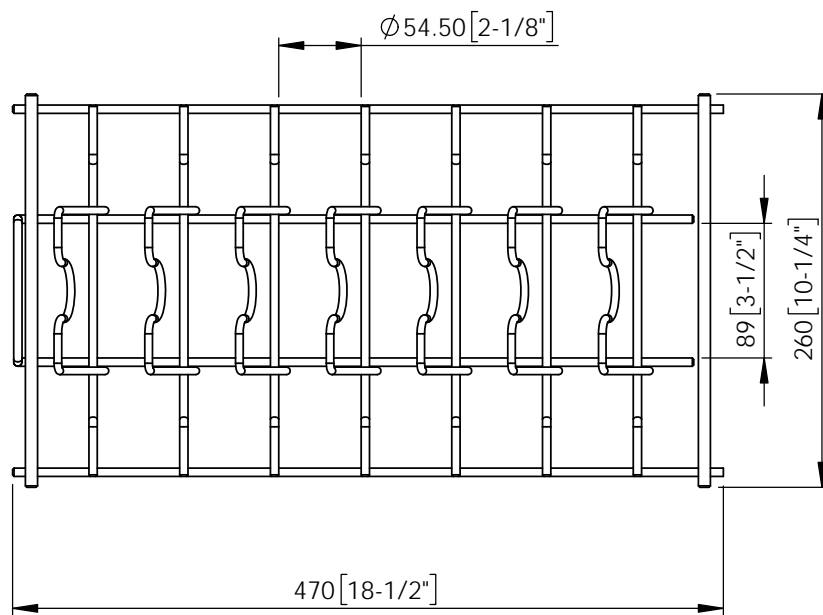
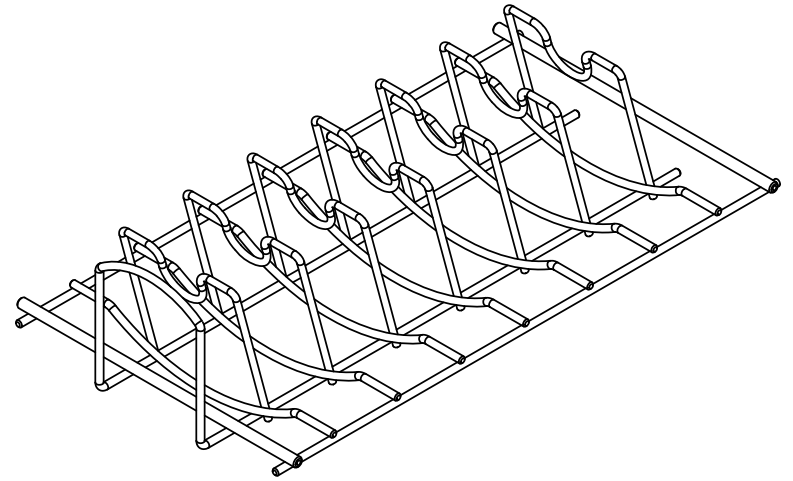
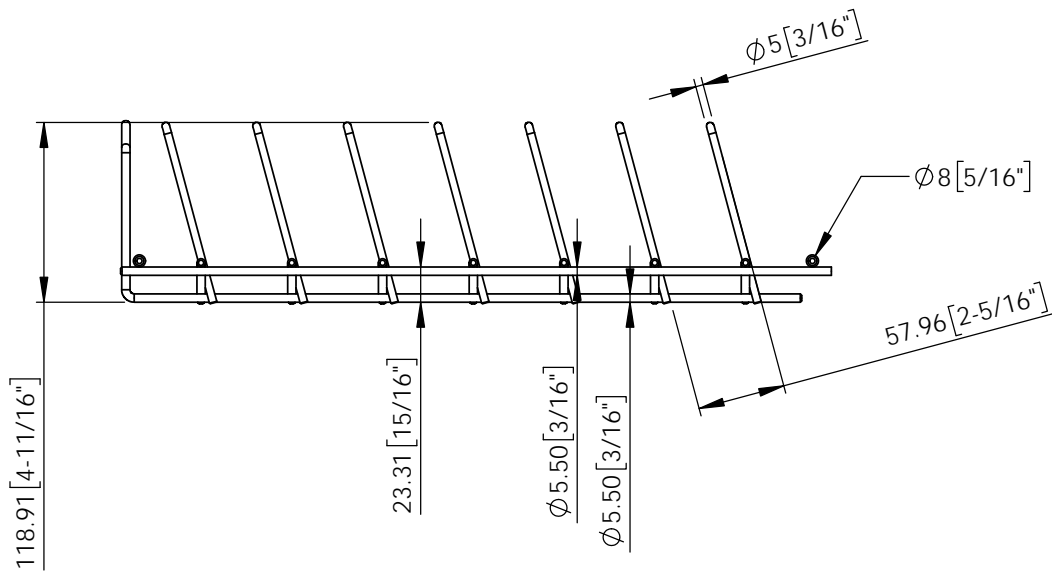
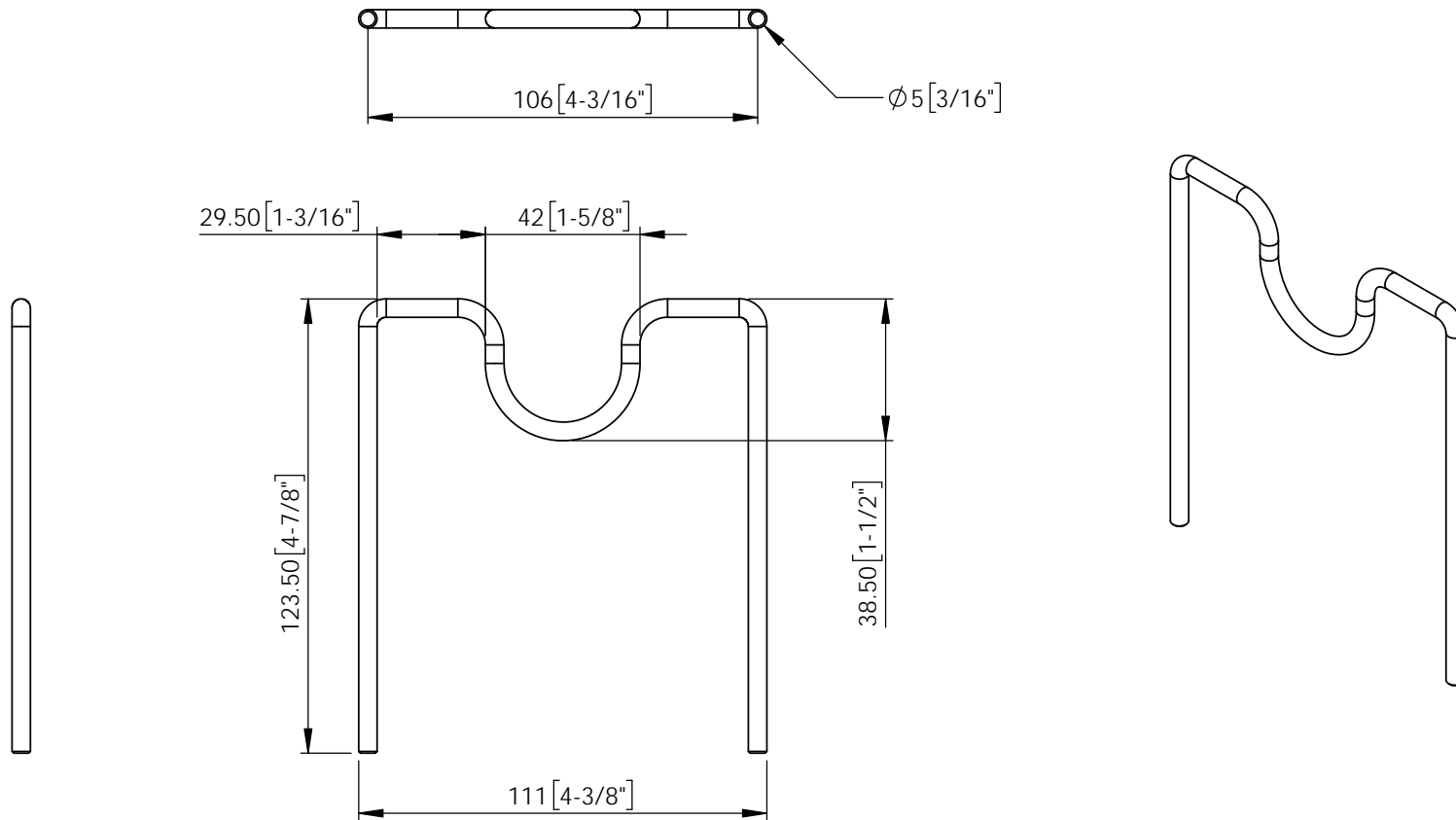


<p>PROPRIETARY AND CONFIDENTIAL</p> <p>THE INFORMATION CONTAINED IN THIS DRAWING IS THE SOLE PROPERTY OF HARDWARE RESOURCES INC. ANY REPRODUCTION IN PART OR AS A WHOLE WITHOUT THE WRITTEN PERMISSION OF HARDWARE RESOURCES INC. IS PROHIBITED.</p>	ITEM#: mplo215-r		MATERIAL:		
	FINISH:		WEIGHT:		
	TOLERANCE UNLESS OTHERWISE SPECIFIED:		DRAWING BY: Alexander.w		DATE: 03/10/16
	x ±0.20 xx ±0.10 xxx ±0.05 ANGULAR: ±0.5°		UNITS:	FINISH:	DATE:
DO NOT SCALE DRAWING		SIZE:	FINISH:	REVISION:	
		SHEET:	FINISH:	REVISION:	



<p>PROPRIETARY AND CONFIDENTIAL</p> <p>THE INFORMATION CONTAINED IN THIS DRAWING IS THE SOLE PROPERTY OF HARDWARE RESOURCES INC. ANY REPRODUCTION IN PART OR AS A WHOLE WITHOUT THE WRITTEN PERMISSION OF HARDWARE RESOURCES INC. IS PROHIBITED.</p>	ITEM#: wire-frame	MATERIAL:	
	FINISH:	WEIGHT:	
	TOLERANCE UNLESS OTHERWISE SPECIFIED: x $\pm 0.20$ xx $\pm 0.10$ xxx $\pm 0.05$ ANGULAR: $\pm 0.5^\circ$	UNITS:	PROJECTION:
	DO NOT SCALE DRAWING	DRAWING BY: Alexander.w	DATE: 03/10/16
	SIZE:	DATE:	
	SHEET:	REVISION:	



<p>THE INFORMATION CONTAINED IN THIS DRAWING IS THE SOLE PROPERTY OF HARDWARE RESOURCES INC. ANY REPRODUCTION IN PART OR AS A WHOLE WITHOUT THE WRITTEN PERMISSION OF HARDWARE RESOURCES INC. IS PROHIBITED.</p>	ITEM#: 1-2754		MATERIAL:	
			WEIGHT:	
	FINISH:		PROJECTION:	
	TOLERANCE UNLESS OTHERWISE SPECIFIED:	UNITS:	DRAWING BY: Alexander.w	DATE: 03/10/16
x ±0.20		SIZE:	FINISH:	DATE:
xx ±0.10		SHEET:	FINISH:	REVISION:
xxx ±0.05				
ANGULAR: ±0.5°				
DO NOT SCALE DRAWING				