

- NOTES:  
 1. PRE-CONFIGURED FOR LEFT HAND DOOR OPENING  
 2. FIELD RE-CONFIGURABLE FOR RIGHT HAND DOOR OPENING

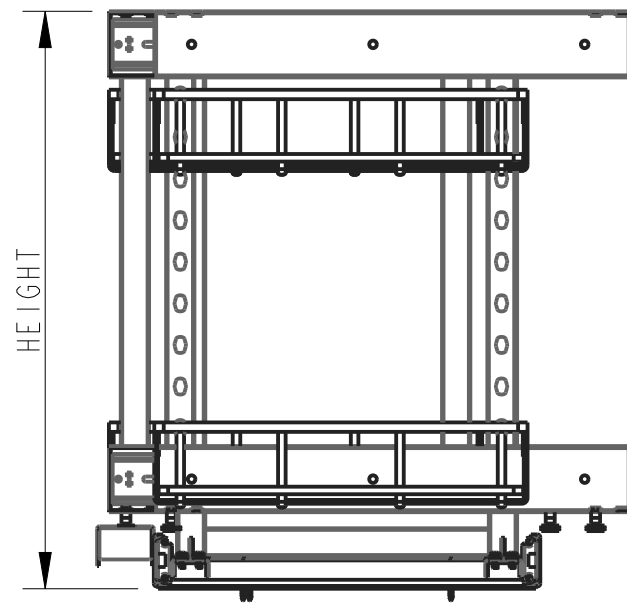
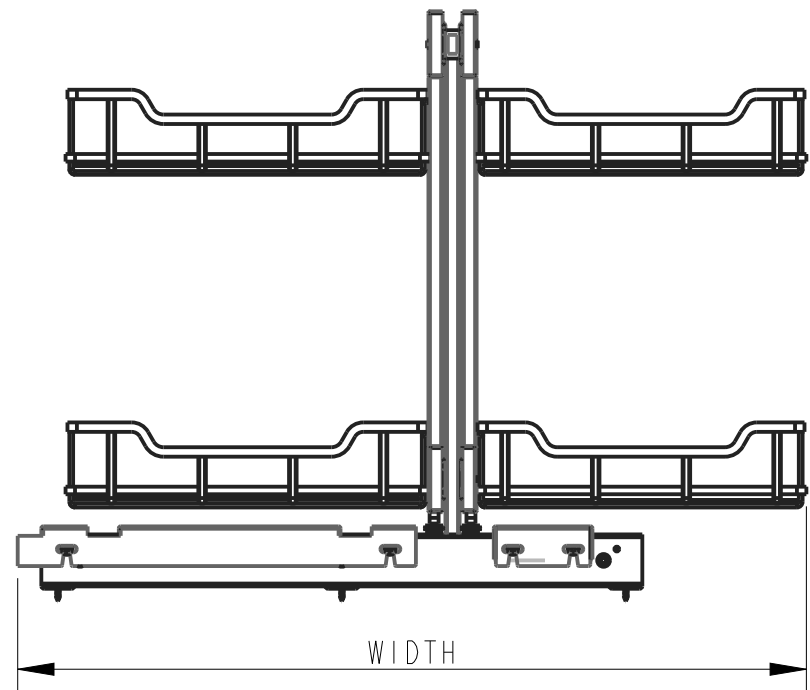
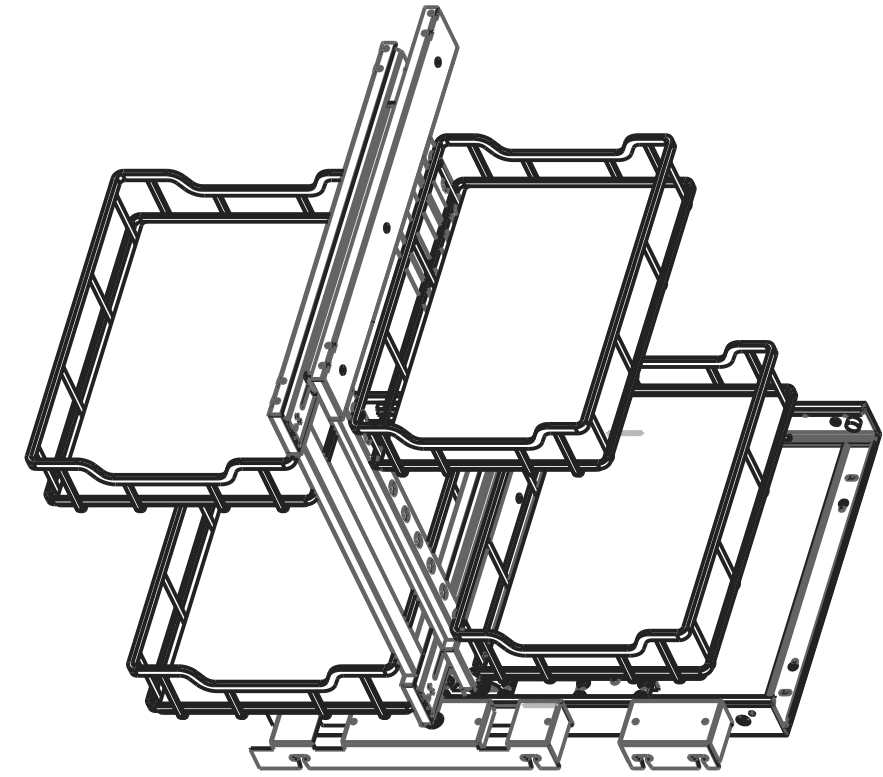
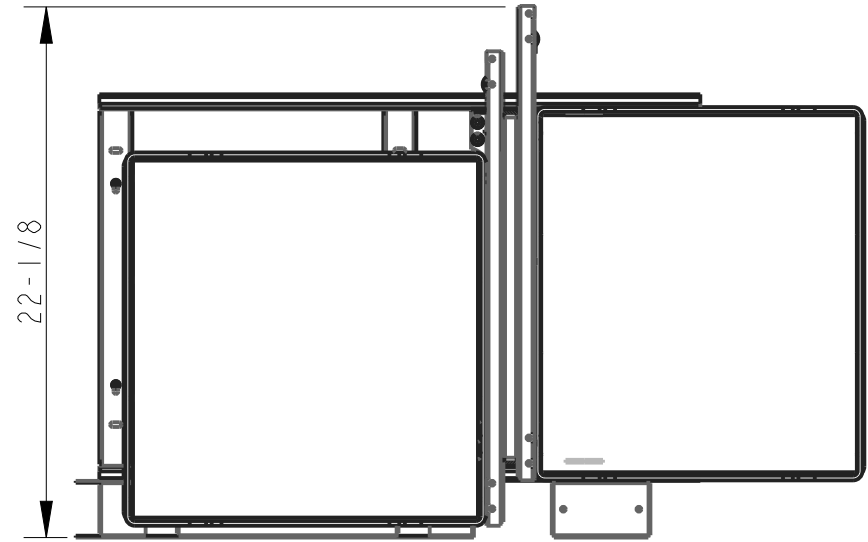


TABLE A: SWS-BC SIZE CHART

HR ITEM NUMBER	PRODUCT DESCRIPTION	WIDTH (INCH)	HEIGHT (INCH)
SWS-BCS15PC	SWS BLIND CORNER, STANDARD HEIGHT, POLISHED CHROME, 15" OPENING	26-13/16	20-9/16
SWS-BCS15BN	SWS BLIND CORNER, STANDARD HEIGHT, BLACK NICKEL, 15" OPENING		
SWS-BCS18PC	SWS BLIND CORNER, STANDARD HEIGHT, POLISHED CHROME, 18" OPENING	32-7/8	
SWS-BCS18BN	SWS BLIND CORNER, STANDARD HEIGHT, BLACK NICKEL, 18" OPENING		
SWS-BCFH15PC	SWS BLIND CORNER, FULL HEIGHT, POLISHED CHROME, 15" OPENING	26-13/16	24-1/16
SWS-BCFH15BN	SWS BLIND CORNER, FULL HEIGHT, BLACK NICKEL, 15" OPENING		
SWS-BCFH18PC	SWS BLIND CORNER, FULL HEIGHT, POLISHED CHROME, 18" OPENING	32-7/8	
SWS-BCFH18BN	SWS BLIND CORNER, FULL HEIGHT, BLACK NICKEL, 18" OPENING		

THIRD ANGLE PROJECTION



**hardware resources**

MATERIAL  
STEEL

FINISH  
PC/BN

DESCRIPTION  
SWS-BLIND CORNER CUSTOMER SALES DRAWING

DRAWN BY  
A. CHEN

DATE  
10AUG2019

DESIGNED BY  
A. CHEN

DATE  
21DEC2018

APPROVED BY  
J.GOMEZ

DATE  
26SEP2019

DRAWING NUMBER  
SWS-BC-SERIES

REV  
**D**

SIZE  
A3

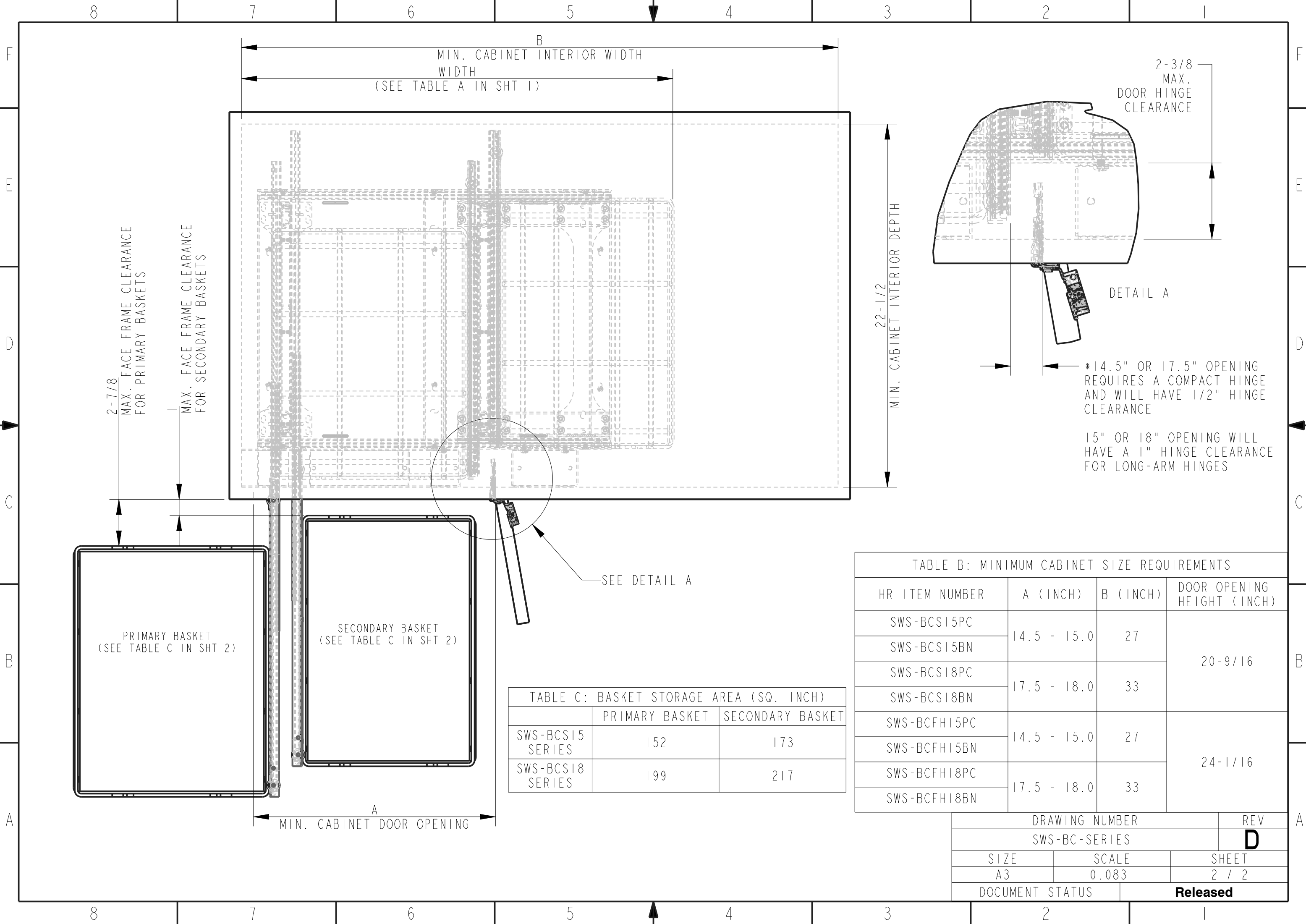
SCALE  
0.250

SHEET  
1 / 2

DOCUMENT STATUS **Released**

HARDWARE RESOURCES RESERVES THE RIGHT TO CHANGE SPECIFICATIONS WITHOUT NOTICE.  
 IN CASE OF A DISCREPANCY, ACTUAL PART GEOMETRY SUPERSEDES THIS DOCUMENT.

THE INFORMATION CONTAINED WITHIN THIS DRAWING IS THE SOLE PROPERTY OF HARDWARE RESOURCES INC. ANY REPRODUCTION IN PART OR WHOLE WITHOUT WRITTEN PERMISSION OF HARDWARE RESOURCES INC. IS PROHIBITED.



2-3/8  
MAX.  
DOOR HINGE  
CLEARANCE

DETAIL A

\*14.5" OR 17.5" OPENING  
REQUIRES A COMPACT HINGE  
AND WILL HAVE 1/2" HINGE  
CLEARANCE

15" OR 18" OPENING WILL  
HAVE A 1" HINGE CLEARANCE  
FOR LONG-ARM HINGES

TABLE B: MINIMUM CABINET SIZE REQUIREMENTS

HR ITEM NUMBER	A (INCH)	B (INCH)	DOOR OPENING HEIGHT (INCH)
SWS-BCS15PC	14.5 - 15.0	27	20-9/16
SWS-BCS15BN		33	
SWS-BCS18PC	17.5 - 18.0	27	
SWS-BCS18BN		33	
SWS-BCFH15PC	14.5 - 15.0	27	24-1/16
SWS-BCFH15BN		33	
SWS-BCFH18PC	17.5 - 18.0	27	
SWS-BCFH18BN		33	

TABLE C: BASKET STORAGE AREA (SQ. INCH)

	PRIMARY BASKET	SECONDARY BASKET
SWS-BCS15 SERIES	152	173
SWS-BCS18 SERIES	199	217

2-7/8  
MAX. FACE FRAME CLEARANCE  
FOR PRIMARY BASKETS

MAX. FACE FRAME CLEARANCE  
FOR SECONDARY BASKETS

PRIMARY BASKET  
(SEE TABLE C IN SHT 2)

SECONDARY BASKET  
(SEE TABLE C IN SHT 2)

SEE DETAIL A

A  
MIN. CABINET DOOR OPENING

DRAWING NUMBER

REV

SWS-BC-SERIES

**D**

SIZE

SCALE

SHEET

A3

0.083

2 / 2

DOCUMENT STATUS

**Released**