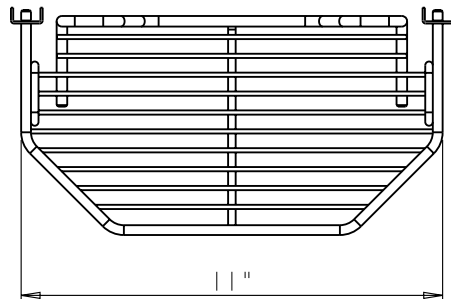
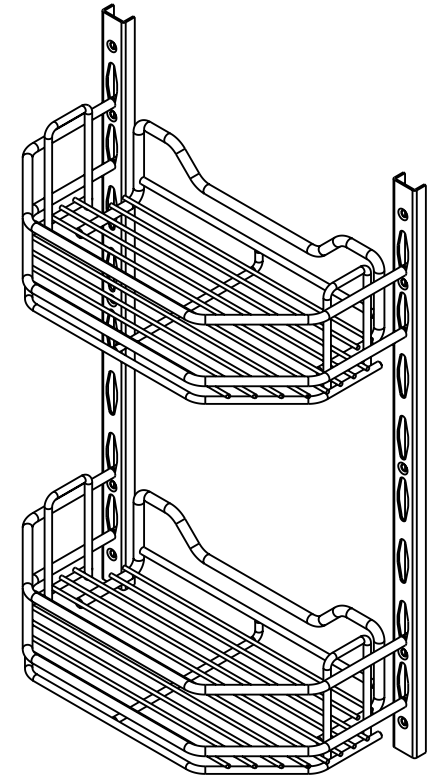
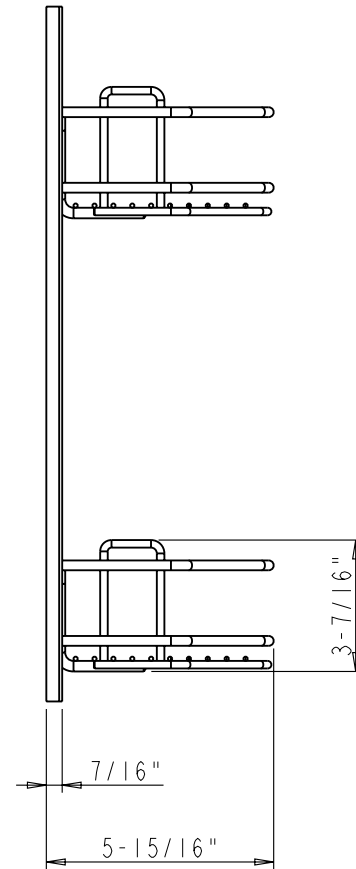
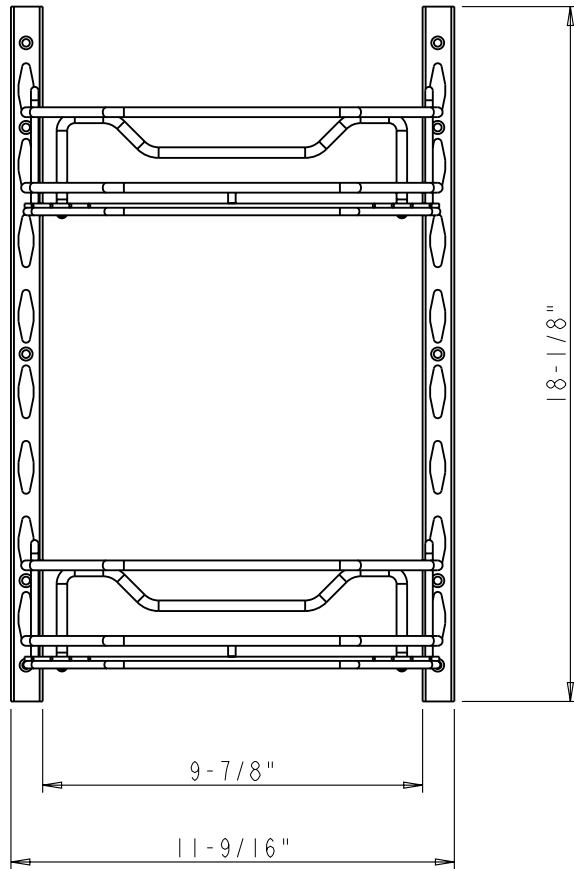


<p>hardware resources</p> <p><small>PROPRIETARY AND CONFIDENTIAL</small></p> <p><small>THE INFORMATION CONTAINED IN THIS DRAWING IS THE SOLE PROPERTY OF HARDWARE RESOURCES INC. ANY REPRODUCTION IN PART OR AS A WHOLE WITHOUT THE WRITTEN PERMISSION OF HARDWARE RESOURCES INC. IS PROHIBITED.</small></p>	ITEM:	DMS6-PC-R		MATERIAL:	
	FINISH:			WEIGHT:	
	TOLERANCE UNLESS OTHERWISE SPECIFIED:	UNITS:	MM	DRAWN BY:	DATE:
	<small>X ±0.20</small> <small>X.X ±0.10</small> <small>X.XX ±0.05</small> <small>ANGULAR: ±0.5°</small>	SIZE:	A4	APPROVED BY:	DATE:
DO NOT SCALE DRAWING	SHEET:	1 OF 1	RELEASE LEVEL:	REVISION:	



<p>hardware resources</p> <p><small>PROPRIETARY AND CONFIDENTIAL</small></p> <p><small>THE INFORMATION CONTAINED IN THIS DRAWING IS THE SOLE PROPERTY OF HARDWARE RESOURCES INC. ANY REPRODUCTION IN PART OR AS A WHOLE WITHOUT THE WRITTEN PERMISSION OF HARDWARE RESOURCES INC. IS PROHIBITED.</small></p>	ITEM:	DMS6-PC-R		MATERIAL:
	FINISH:			WEIGHT:
	TOLERANCE UNLESS OTHERWISE SPECIFIED:	UNITS:	DRAWN BY:	DATE:
	<small>X ±0.20 X.X ±0.10 X.XX ±0.05 ANGULAR: ±0.5°</small>	INCH		
DO NOT SCALE DRAWING	SIZE:	APPROVED BY:	DATE:	
	A4			
	SHEET:	RELEASE LEVEL:	REVISION:	
	1 OF 1			