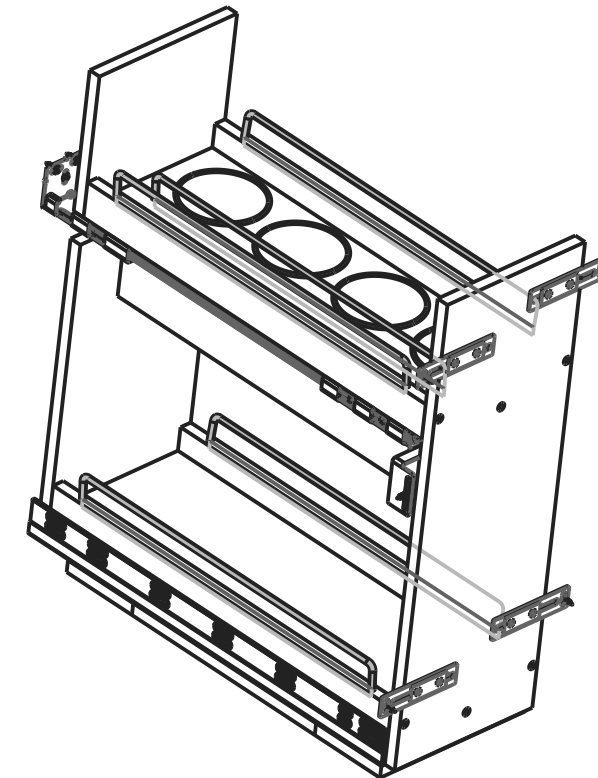


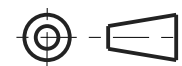
"NO WIGGLE"
TOP SUPPORT MECHANISM
US PATENTED

6 WAY DOOR MOUNTING
ADJUSTABLE SYSTEM
US PATENTED

USE 58-300 SERIES
RUNNER MECHANISM



THIRD ANGLE PROJECTION



**hardware
resources**

MATERIAL

FINISH

N/A

N/A

DESCRIPTION

8 INCH UTENSIL BIN BASE CABINET
PULLOUT

DRAWN BY
ALAN CHEN

DATE
25AUG2017

DESIGNED BY
JOHN LAI

DATE
25AUG2017

DRAWING NUMBER
UBP08

REV
C

APPROVED BY
GREG DAVIS

DATE
29AUG2017

SIZE
A3

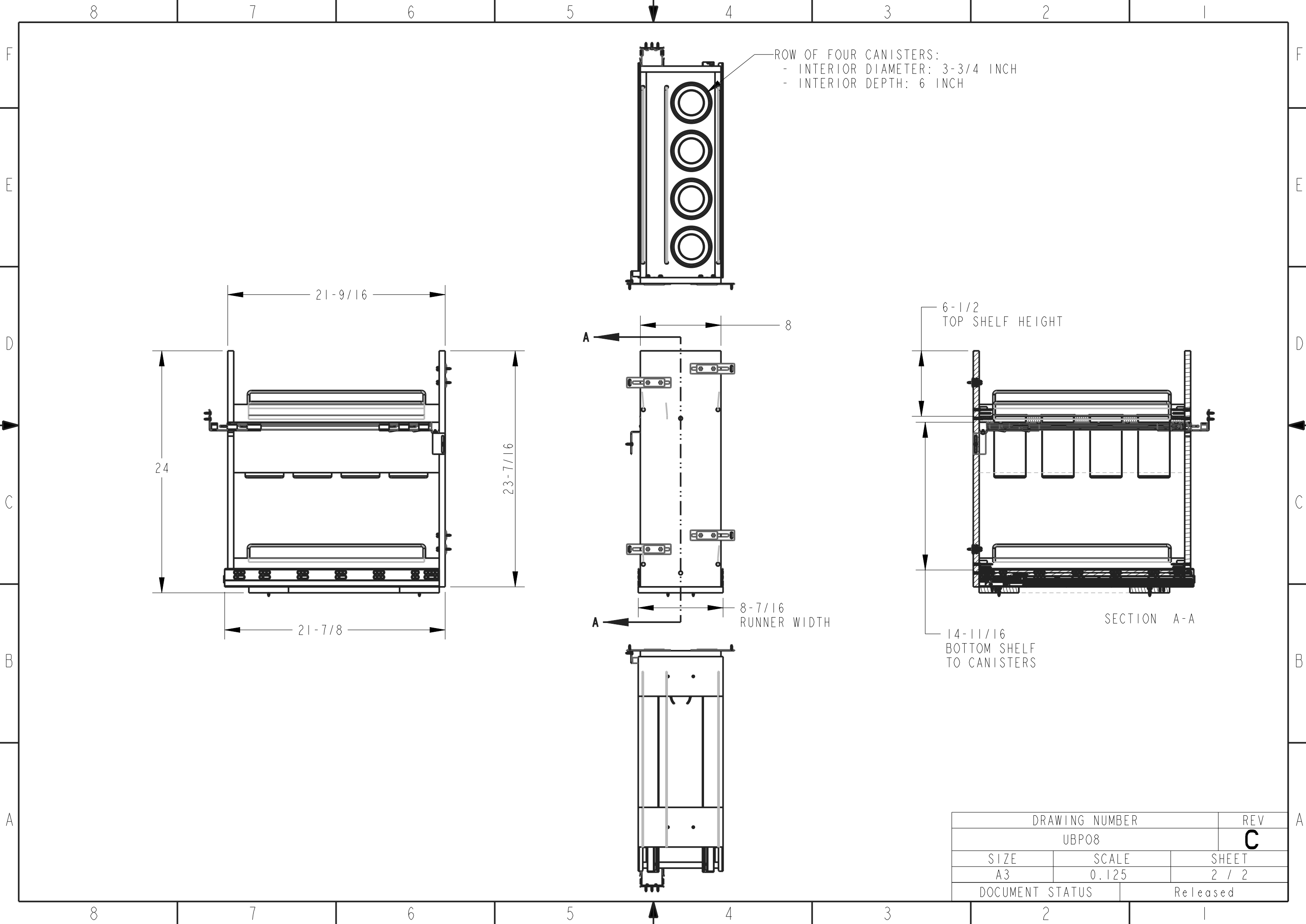
SCALE
0.125

SHEET
1 / 2

DOCUMENT STATUS Released

HARDWARE RESOURCES RESERVES THE RIGHT TO CHANGE SPECIFICATIONS WITHOUT NOTICE.
IN CASE OF A DISCREPANCY, ACTUAL PART GEOMETRY SUPERSEDES THIS DOCUMENT.

THE INFORMATION CONTAINED WITHIN THIS DRAWING IS THE SOLE PROPERTY OF HARDWARE RESOURCES INC. ANY
REPRODUCTION IN PART OR WHOLE WITHOUT WRITTEN PERMISSION OF HARDWARE RESOURCES INC. IS PROHIBITED.



DRAWING NUMBER		REV
UBP08		C
SIZE	SCALE	SHEET
A3	0.125	2 / 2
DOCUMENT STATUS		Released