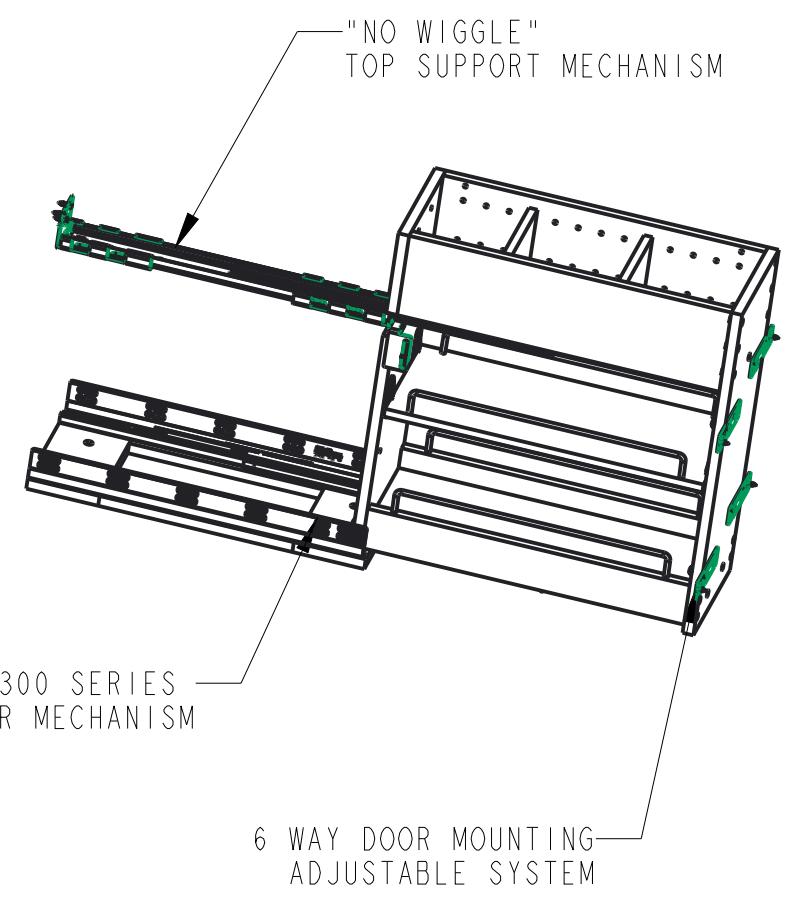
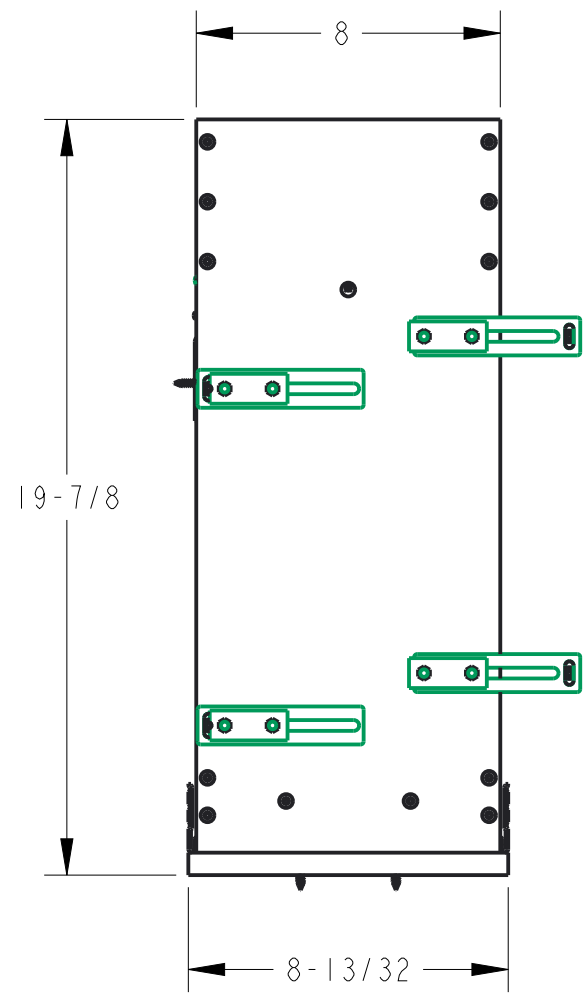
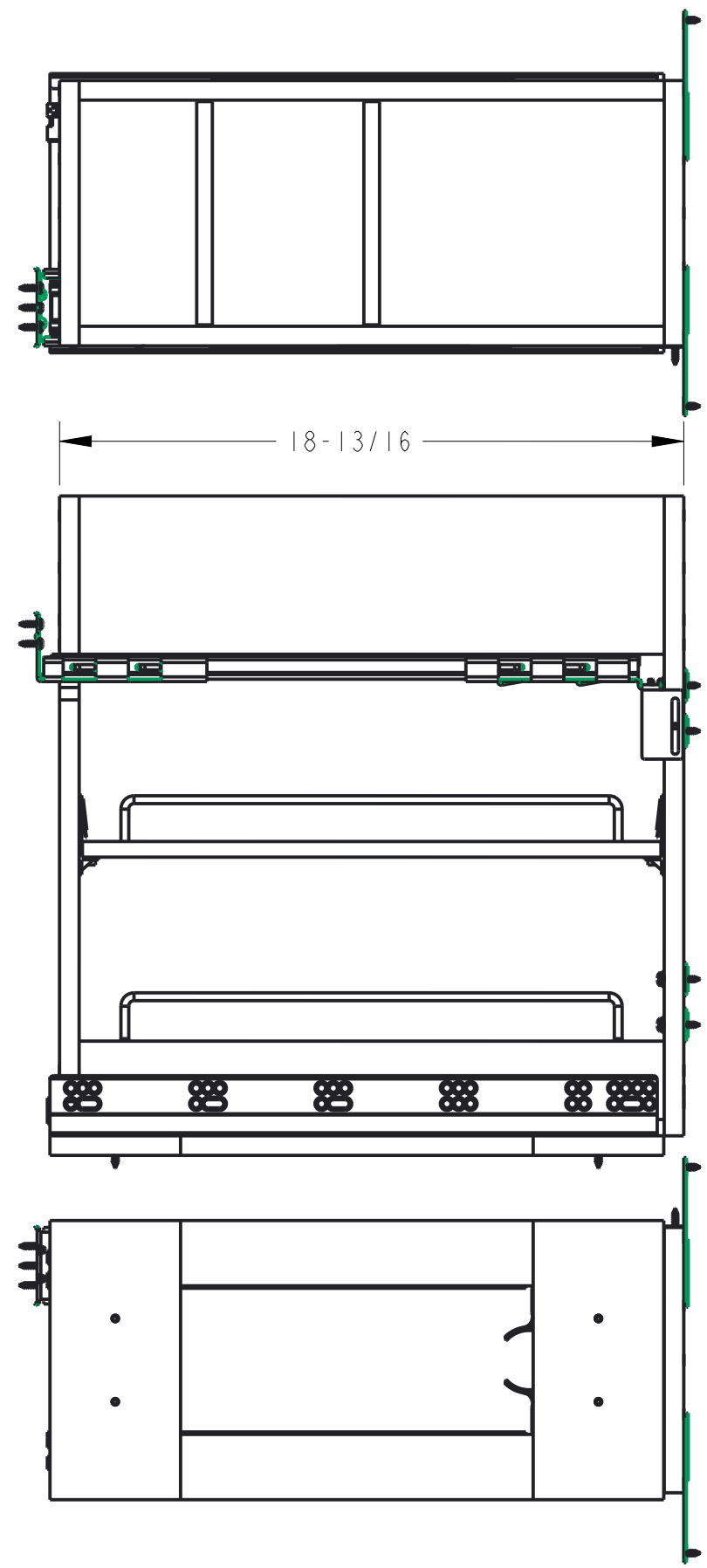


8 7 6 5 4 3 2 1

F
E
D
C
B
A



DOCUMENT STATUS Released

THIRD ANGLE PROJECTION 		hardware resources		
MATERIAL N/A	FINISH N/A			
DRAWN BY A.CHEN	DATE 05JUN17	DRAWING NUMBER VBPO8-SC		REV A
DESIGNED BY A.CHEN	DATE 05JUN17	SIZE A3	SCALE 19:96	SHEET 1 / 1
APPROVED BY R.LAIRD	DATE 05JUN17			

HARDWARE RESOURCES RESERVES THE RIGHT TO CHANGE SPECIFICATIONS WITHOUT NOTICE. IN CASE OF A DISCREPANCY, ACTUAL PART GEOMETRY SUPERSEDES THIS DOCUMENT.

THE INFORMATION CONTAINED WITHIN THIS DRAWING IS THE SOLE PROPERTY OF HARDWARE RESOURCES INC. ANY REPRODUCTION IN PART OR WHOLE WITHOUT WRITTEN PERMISSION OF HARDWARE RESOURCES INC. IS PROHIBITED.

8 7 6 5 4 3 2 1