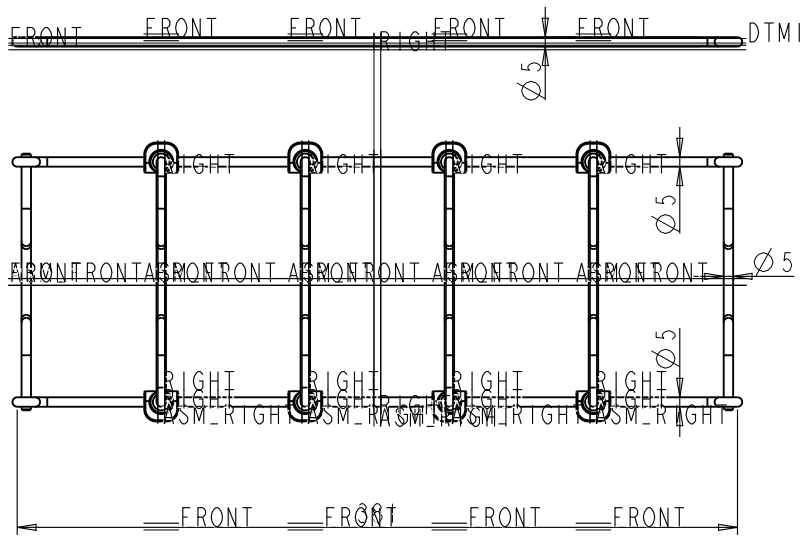
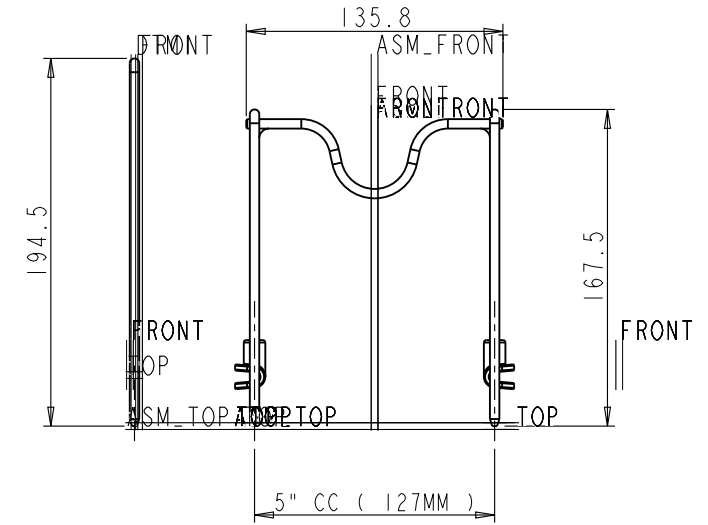
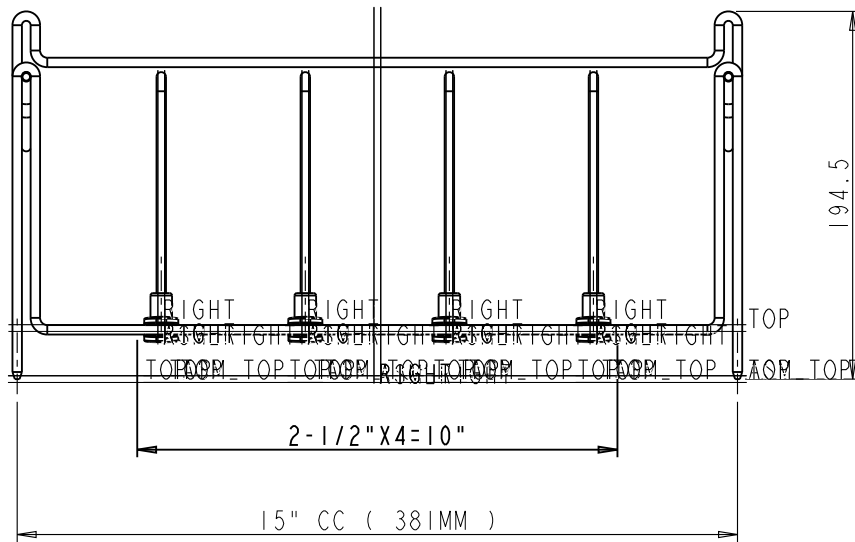


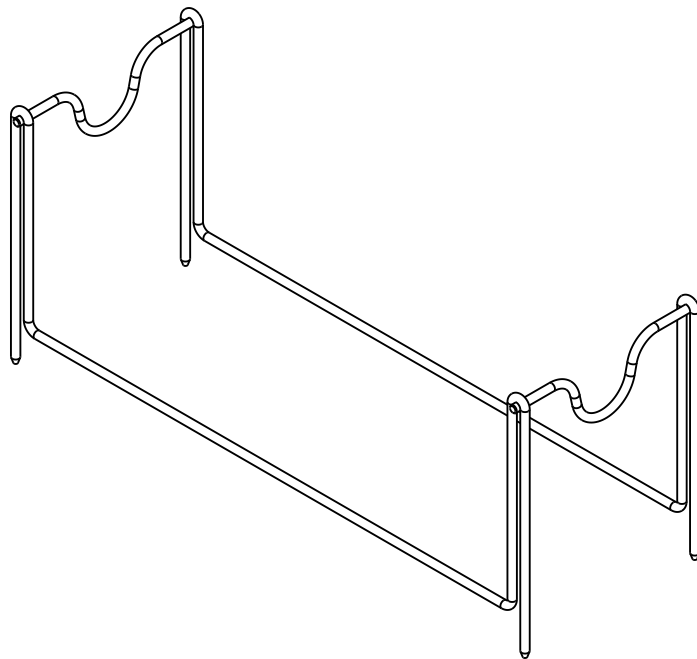
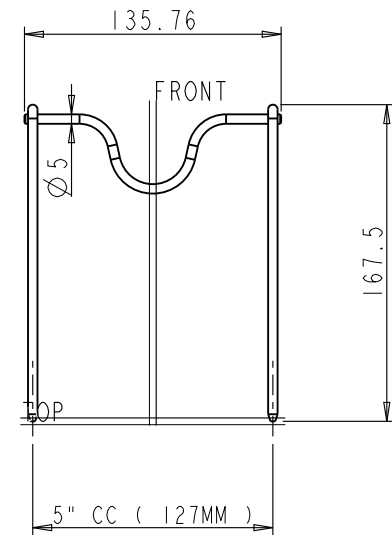
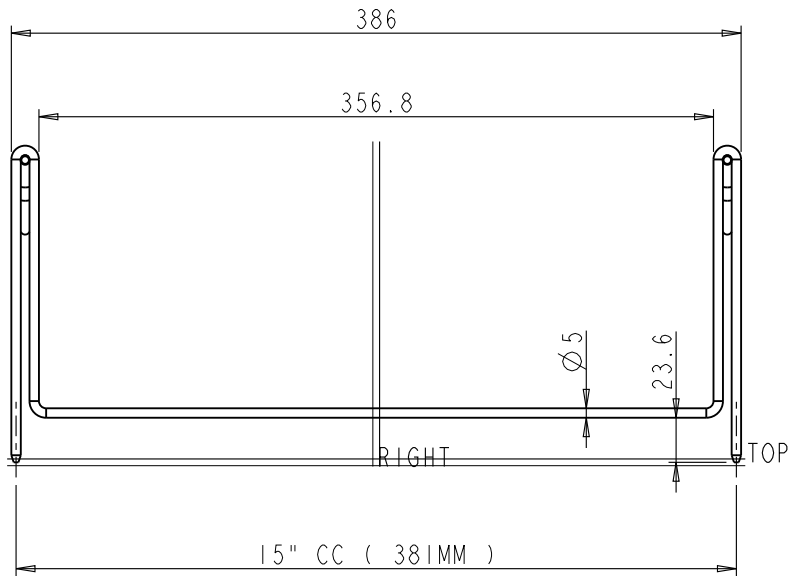
BILLS OF MATERIAL :

NO.	ITEM#	MATERIAL	QTY	UNIT WEIGHT	TOTLE WEIGHT	TYPE	ASSY LEVEL
6	PEG-PO-4	STEEL	1	121.92	121.92	PART	2
5	PEG-PO-3	ABS	2	2.80	5.60	PART	3
4	PEG-PO-2	STEEL	1	63.48	63.48	PART	3
3	PEG-PO-2	ASSY	4	69.49	277.95	ASSEMBLY	2
2	PEG-PO-1	STEEL	1	351.51	351.51	PART	2
1	PEG-PO	ASSY	1	820.87	820.87	ASSEMBLY	1

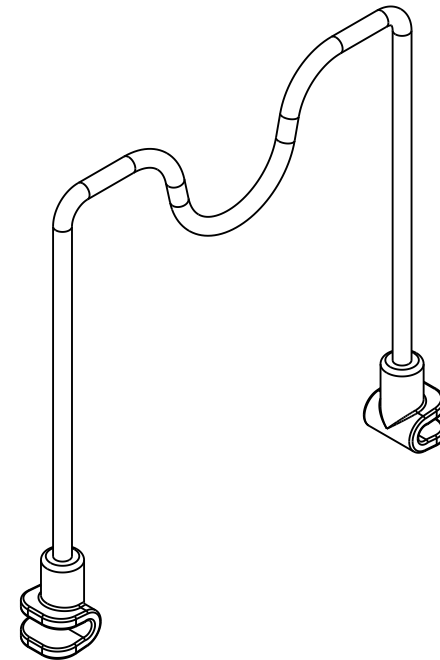
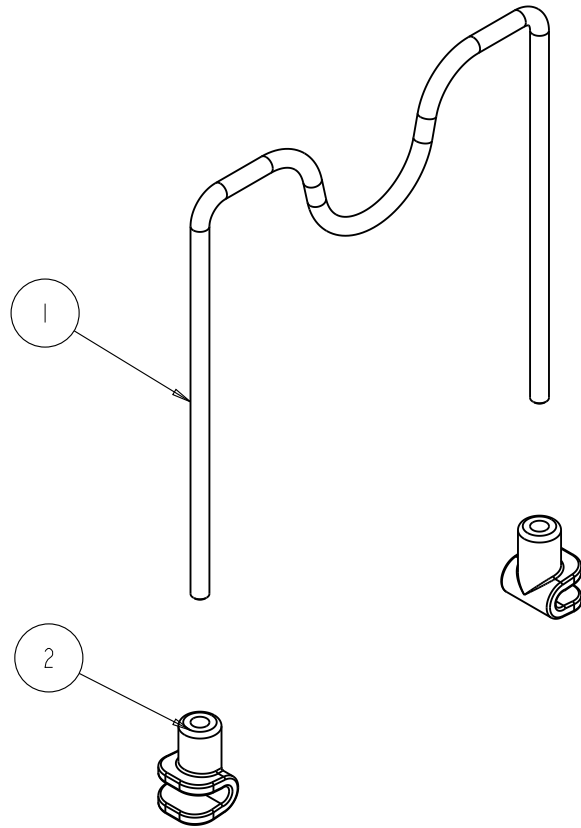
<b>hardware resources</b>	ITEM#: PEG-PO		MATERIAL:	
	FINISH:		WEIGHT: g	
<b>PROPRIETARY AND CONFIDENTIAL</b> THE INFORMATION CONTAINED IN THIS DRAWING IS THE SOLE PROPERTY OF HARDWARE RESOURCES INC. ANY REPRODUCTION IN PART OR AS A WHOLE WITHOUT THE WRITTEN PERMISSION OF HARDWARE RESOURCES INC. IS PROHIBITED.	TOLERANCE UNLESS OTHERWISE SPECIFIED:		PROJECTION	
	UNIT:	DRAWN BY:	DATE:	
	SIZE:	CHECKED BY:	DATE:	
	APPROVED BY:	DATE:		



	ITEM:	PEG-PO		MATERIAL:
	FINISH:			WEIGHT: 9
<b>PROPRIETARY AND CONFIDENTIAL</b> THE INFORMATION CONTAINED IN THIS DRAWING IS THE SOLE PROPERTY OF HARDWARE RESOURCES INC. ANY REPRODUCTION IN PART OR AS A WHOLE WITHOUT THE WRITTEN PERMISSION OF HARDWARE RESOURCES INC. IS PROHIBITED.	TOLERANCE UNLESS OTHERWISE SPECIFIED:	UNIT:	DRAWN BY:	DATE:
	X . MM ±0.20	SIZE:	<i>alan.liu</i>	DATE:
	X.X MM ±0.10	CHECKED BY:		DATE:
	X.XX MM ±0.05	APPROVED BY:		DATE:
	ANGULAR: ±0.5°			
	DO NOT SCALE DRAWING			



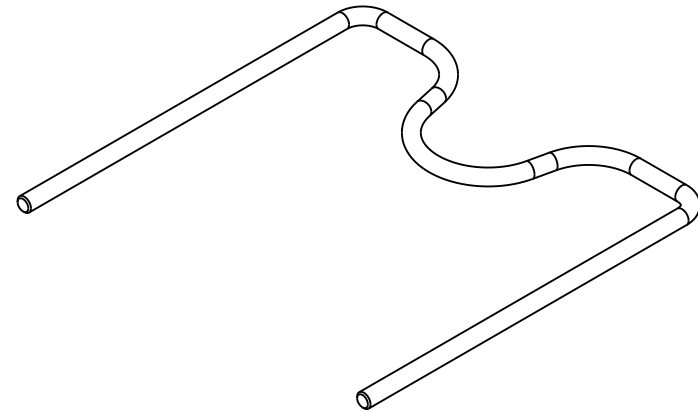
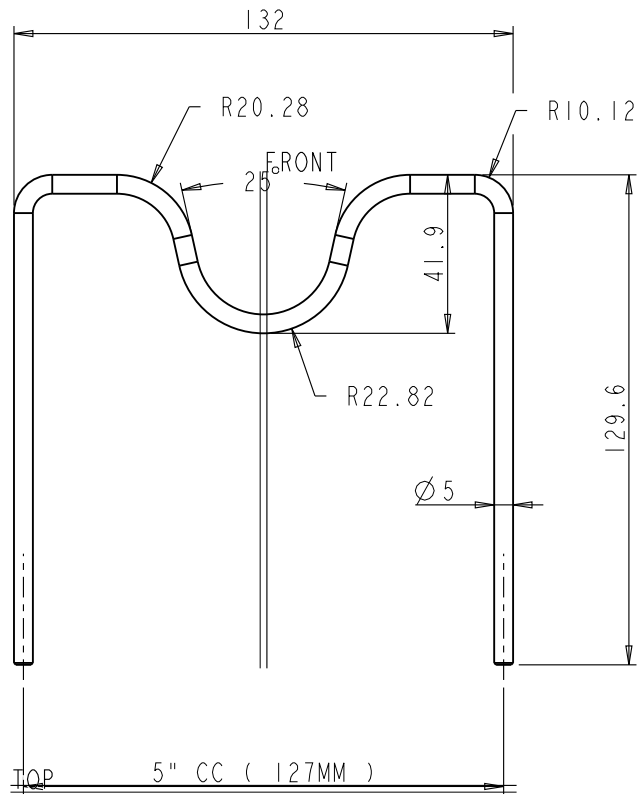
	ITEM#: PEG-PO-1		MATERIAL: STEEL	
	FINISH: Chrome		WEIGHT: 351.51 g	
<b>PROPRIETARY AND CONFIDENTIAL</b> THE INFORMATION CONTAINED IN THIS DRAWING IS THE SOLE PROPERTY OF HARDWARE RESOURCES INC. ANY REPRODUCTION IN PART OR AS A WHOLE WITHOUT THE WRITTEN PERMISSION OF HARDWARE RESOURCES INC. IS PROHIBITED.	TOLERANCE UNLESS OTHERWISE SPECIFIED:		UNIT:	DRAWN BY: <i>alan.liu</i>
	X: MM ±0.20		SIZE:	CHECKED BY:
	X.X: MM ±0.10		APPROVED BY:	
X.XX: MM ±0.05		DATE:		DATE:
ANGULAR: ±0.5°		DATE:		DATE:
DO NOT SCALE DRAWING		DATE:		DATE:



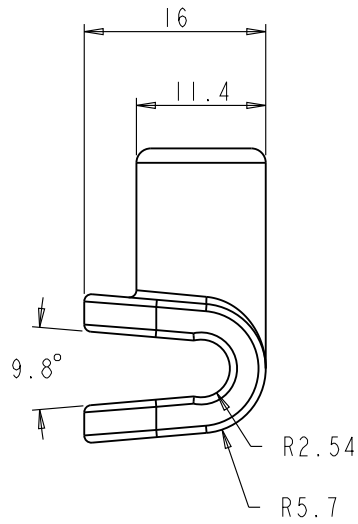
BILLS OF MATERIAL :

NO.	ITEM#	MATERIAL	QTY	UNIT WEIGHT	TOTLE WEIGHT	TYPE	ASSY LEVEL
2	PEG-PO-3	ABS	2	2.80	5.60	PART	1
1	PEG-PO-2	STEEL	1	63.48	63.48	PART	1

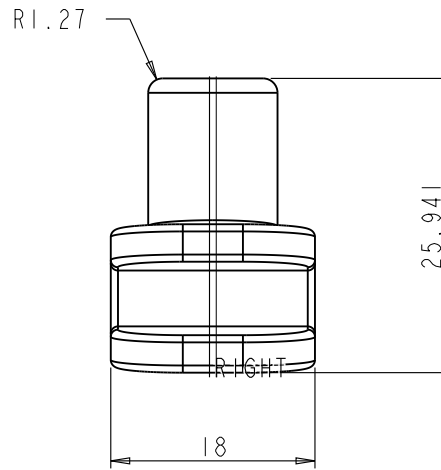
	ITEM#: PEG-PO-2		MATERIAL:		
	FINISH:		WEIGHT: g		
<p><b>PROPRIETARY AND CONFIDENTIAL</b></p> <p>THE INFORMATION CONTAINED IN THIS DRAWING IS THE SOLE PROPERTY OF HARDWARE RESOURCES INC. ANY REPRODUCTION IN PART OR AS A WHOLE WITHOUT THE WRITTEN PERMISSION OF HARDWARE RESOURCES INC. IS PROHIBITED.</p>	TOLERANCE UNLESS OTHERWISE SPECIFIED:		PROJECTION		
	X - MM ±0.20 X.X - MM ±0.10 X.XX - MM ±0.05 ANGULAR: ±0.5° DO NOT SCALE DRAWING	UNIT:	DRAWN BY: <i>alan.liu</i>	DATE:	
	SIZE:	CHECKED BY:	DATE:		
		APPROVED BY:	DATE:		



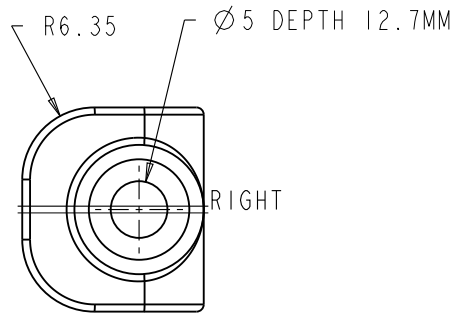
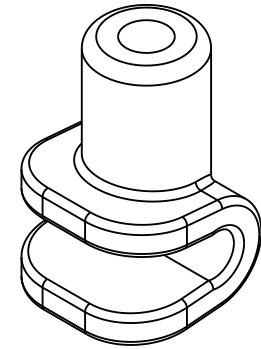
	ITEM#: PEG-PO-2		MATERIAL: STEEL	
	FINISH: Chrome		WEIGHT: 63.48 g	
<b>PROPRIETARY AND CONFIDENTIAL</b> THE INFORMATION CONTAINED IN THIS DRAWING IS THE SOLE PROPERTY OF HARDWARE RESOURCES INC. ANY REPRODUCTION IN PART OR AS A WHOLE WITHOUT THE WRITTEN PERMISSION OF HARDWARE RESOURCES INC. IS PROHIBITED.	TOLERANCE UNLESS OTHERWISE SPECIFIED:		PROJECTION:	
	UNIT:	DRAWN BY:	DATE:	
	SIZE:	CHECKED BY:	DATE:	
	APPROVED BY:		DATE:	
DO NOT SCALE DRAWING		X: MM ±0.20 X.X: MM ±0.10 X.XX: MM ±0.05 ANGULAR: ±0.5°		



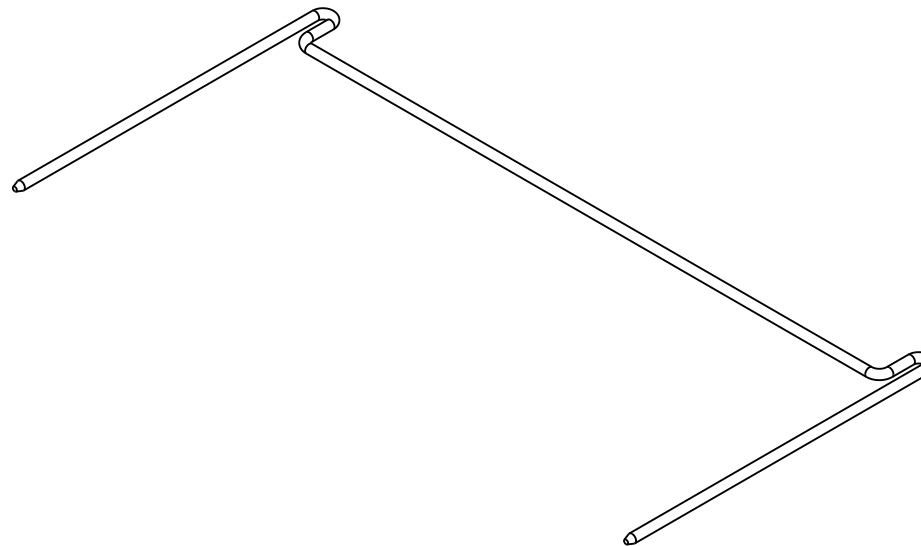
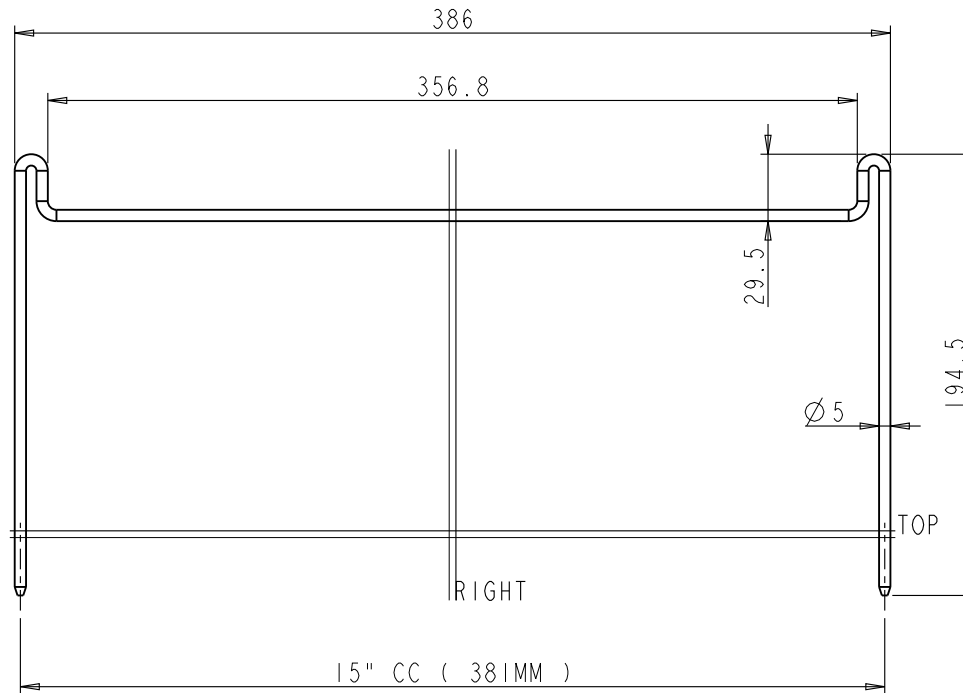
TOP



TOP



	ITEM#: PEG-PO-3		MATERIAL: ABS	
	FINISH: Chrome		WEIGHT: 2.80 g	
<b>PROPRIETARY AND CONFIDENTIAL</b> THE INFORMATION CONTAINED IN THIS DRAWING IS THE SOLE PROPERTY OF HARDWARE RESOURCES INC. ANY REPRODUCTION IN PART OR AS A WHOLE WITHOUT THE WRITTEN PERMISSION OF HARDWARE RESOURCES INC. IS PROHIBITED.	TOLERANCE UNLESS OTHERWISE SPECIFIED:	UNIT:	DRAWN BY:	DATE:
	X: MM ±0.20	SIZE	<i>alan.liu</i>	DATE:
	X.X: MM ±0.10	CHECKED BY:	APPROVED BY:	DATE:
	X.XX: MM ±0.05	APPROVED BY:	DATE:	DATE:
ANGULAR: ±0.5°	DO NOT SCALE DRAWING			



	ITEM#: PEG-PO-4		MATERIAL: STEEL	
	FINISH: Chrome		WEIGHT: 121.92 g	
<b>PROPRIETARY AND CONFIDENTIAL</b> THE INFORMATION CONTAINED IN THIS DRAWING IS THE SOLE PROPERTY OF HARDWARE RESOURCES INC. ANY REPRODUCTION IN PART OR AS A WHOLE WITHOUT THE WRITTEN PERMISSION OF HARDWARE RESOURCES INC. IS PROHIBITED.	TOLERANCE UNLESS OTHERWISE SPECIFIED:		PROJECTION:	
	X: MM ±0.20 X.X: MM ±0.10 X.XX: MM ±0.05 ANGULAR: ±0.5° DO NOT SCALE DRAWING	UNIT: SIZE: APPROVED BY:	DRAWN BY: <i>alan.liu</i> CHECKED BY: DATE:	DATE:
			DATE:	DATE: