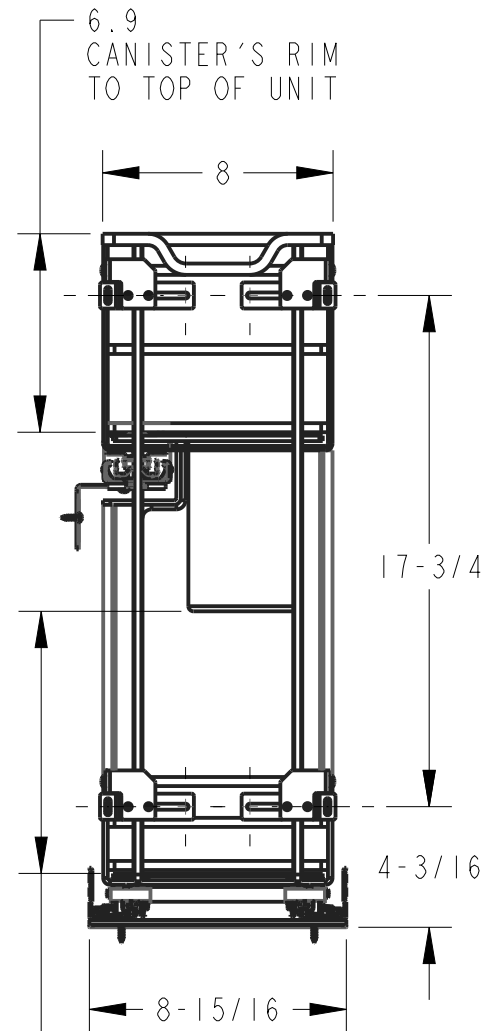
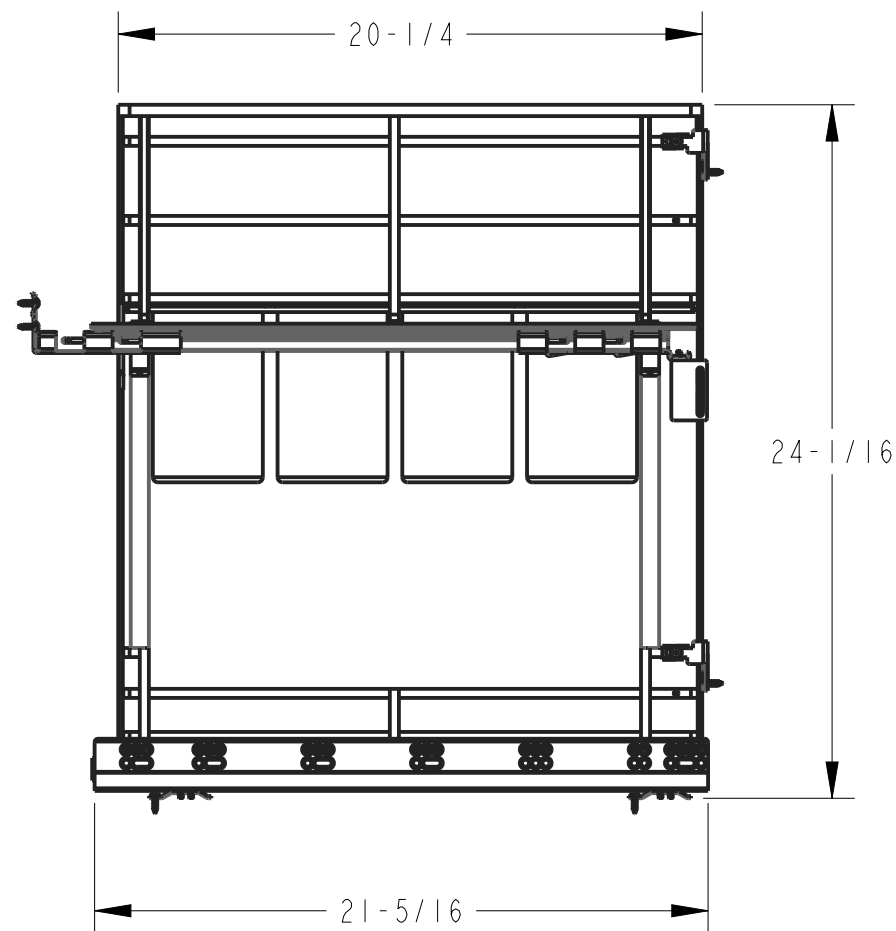
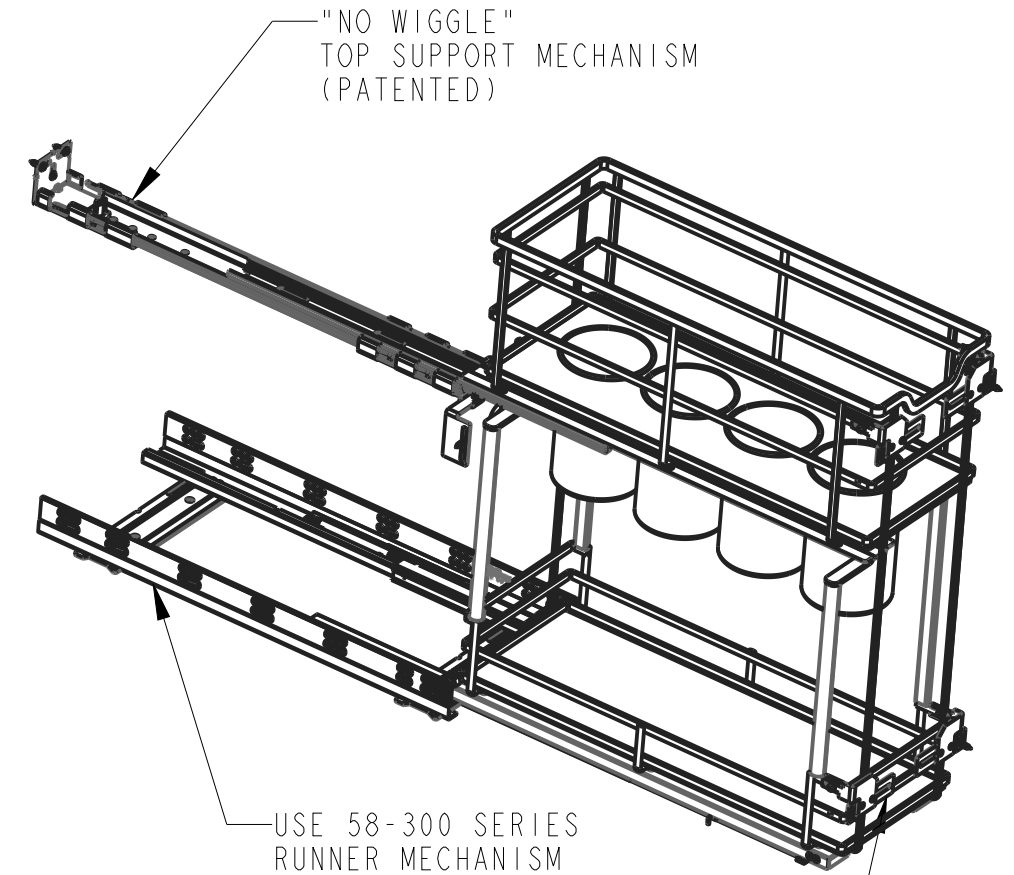


ROW OF FOUR CANISTERS:
 - INTERIOR DIAMETER: 3-3/4 INCH
 - INTERIOR DEPTH: 6 INCH



9-1/8
 SPACING BETWEEN
 CANISTER BOTTOM TO
 THE LOWER SHELVING



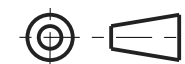
"NO WIGGLE"
 TOP SUPPORT MECHANISM
 (PATENTED)

USE 58-300 SERIES
 RUNNER MECHANISM

6-WAY DOOR MOUNTING
 ADJUSTABLE SYSTEM
 (PATENTED)

HR ITEM NUMBER	PRODUCT DESCRIPTION
SWS-UBPO8PC	SWS UBPO, POLISHED CHROME, 8in
SWS-UBPO8BN	SWS UBPO, BLACK NICKEL, 8in

THIRD ANGLE PROJECTION



MATERIAL	FINISH
STEEL	SEE TABLE

**hardware
resources**

DESCRIPTION

SWS UBPO

DRAWN BY A.CHEN	DATE 07MAR18
DESIGNED BY A.CHEN	DATE 07MAR18
APPROVED BY D.MCGREGOR	DATE 09MAR18

DRAWING NUMBER SWS-UBPO	REV C
SIZE A3	SCALE 0.150
SHEET 1 / 1	

DOCUMENT STATUS Released

HARDWARE RESOURCES RESERVES THE RIGHT TO CHANGE SPECIFICATIONS WITHOUT NOTICE.
 IN CASE OF A DISCREPANCY, ACTUAL PART GEOMETRY SUPERSEDES THIS DOCUMENT.

THE INFORMATION CONTAINED WITHIN THIS DRAWING IS THE SOLE PROPERTY OF HARDWARE RESOURCES INC. ANY
 REPRODUCTION IN PART OR WHOLE WITHOUT WRITTEN PERMISSION OF HARDWARE RESOURCES INC. IS PROHIBITED.