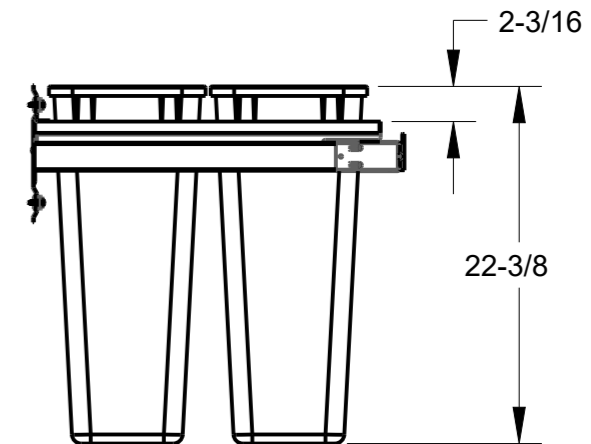
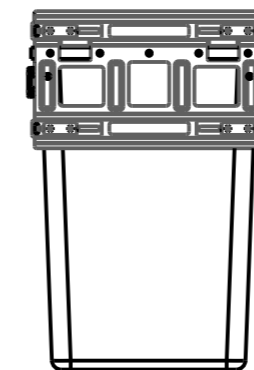
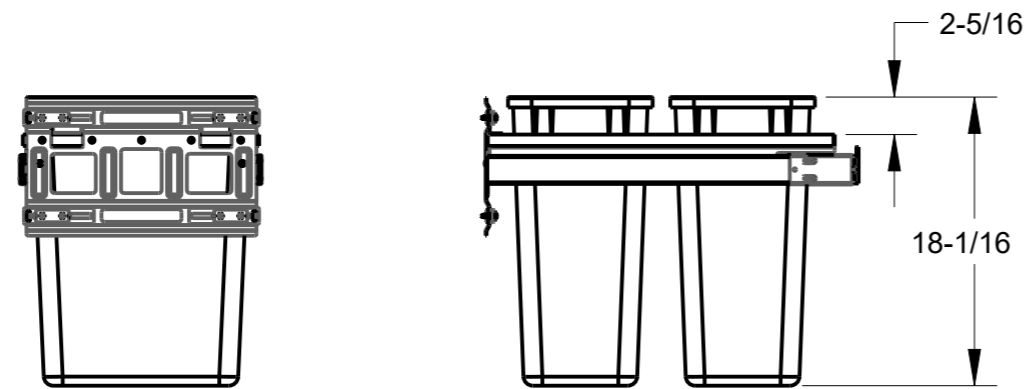
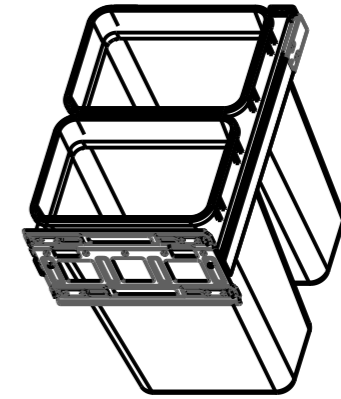
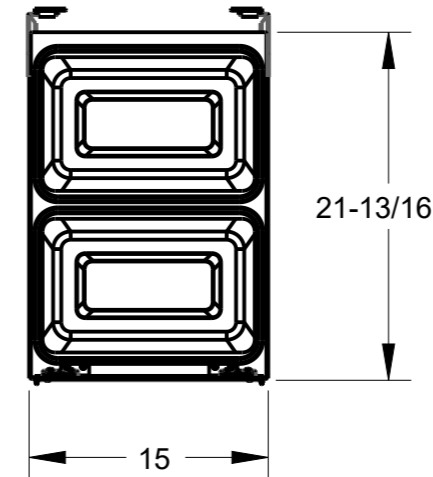
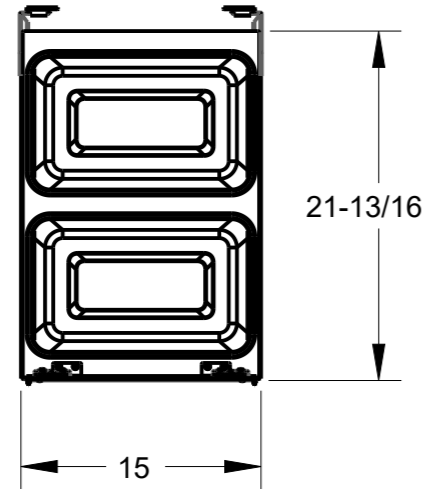


8 7 6 5 4 3 2 1

F
E
D
C
B
A

NOTES:

1. REFER TO HARDWARE RESOURCES CATALOG FOR COMPLETE ITEM NUMBERS.



35 QUART

50 QUART

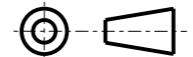


HARDWARE RESOURCES RESERVES THE RIGHT TO CHANGE SPECIFICATIONS WITHOUT NOTICE. IN CASE OF A DISCREPANCY, ACTUAL PART GEOMETRY SUPERSEDES THIS DOCUMENT.

THE INFORMATION CONTAINED WITHIN THIS DRAWING IS THE SOLE PROPERTY OF HARDWARE RESOURCES INC. ANY REPRODUCTION IN PART OR WHOLE WITHOUT WRITTEN PERMISSION OF HARDWARE RESOURCES INC. IS PROHIBITED.

DOCUMENT STATUS **Released**
UNLESS OTHERWISE SPECIFIED DIMENSIONS ARE IN INCHES (IN)

MATERIAL	FINISH
N/A	SEE NOTES

THIRD ANGLE PROJECTION	DATE
	27JUN2023

DESCRIPTION
TOP MOUNT TRASH CAN, DOUBLR 15in, KIT

DRAWING NUMBER		REV
CAN-TMD15-K		B
SIZE	SCALE	SHEET
A3	0.071	1 / 1

8 7 6 5 4 3 2 1