

***Adjustable Wardrobe Rail needs to be locked:***

Once the Mounting Boxes are mounted to the side panels and Adjustable Wardrobe Rail is extended to the proper width, twist the outer sleeves of the Adjustable Wardrobe Rail in opposite directions to lock in the width.

Over or under extending the width of the Wardrobe Rail may create binding with the vertical arms. (See step 4 in the mounting instructions).

**Not Locking the width may also cause the Wardrobe Rail to bend or bow.**

***Bumper Brackets:***

Be certain Bumper Bracket are mounted on both sides before operating lift. Failure to do so will cause damage to the plastic Mounting Boxes. (See step 1 in the mounting instructions).

***Operating tips:***

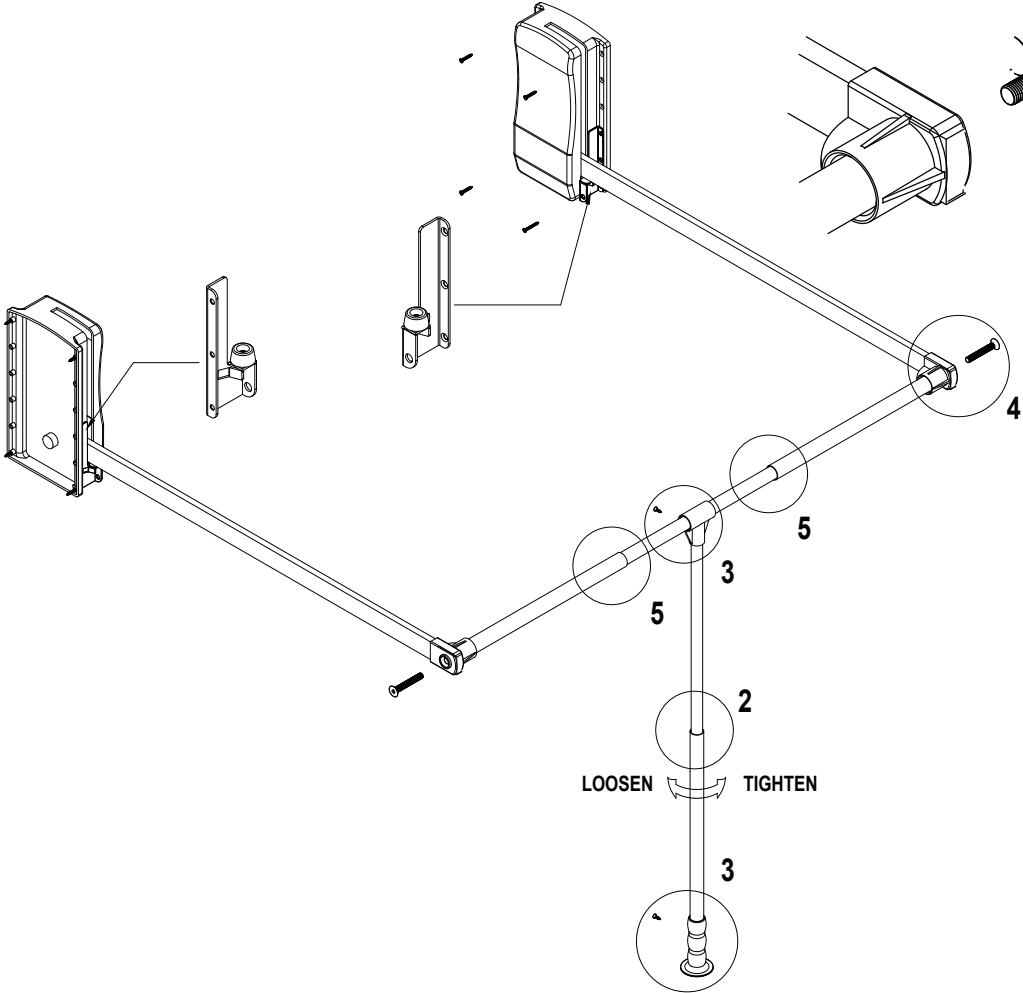
**Cycle the lift.** Once the lift is installed, cycle the unit three to five times to loosen the pistons to allow for smooth operation.

Handle pole needs to be located in the center of the Wardrobe Rail and pulled straight down and not at an angle. This will avoid binding and ensure proper operation of the lift. Pre-installed O-rings keep the T-Bracket in position.

**Assist the lift when lowering.** When lowering the lift, assist the Handle Pole until the vertical arms rest on the Housing Bumpers. Letting the lift drop on its own may cause damage to the housing.

**Distribution and Weight Limit.** Loading the lift with more weight than the weight limit will cause damage to the lift. Distribute weight of clothes evenly across the Wardrobe Rail to avoid racking.

# Wardrobe Lift Instruction Sheet



**STEP 1**

Attach LH & RH Mounting Box to the Cabinet Sides using #8X20mm Flat Head Screws. Attach Bumper Brackets (LH & RH) to both sides by using the longer #8X26mm Flat Head Screws.

**STEP 2**

Adjust the length of Pole to the appropriate position then twist it to lock it.

**STEP 3**

Attach the T-Bracket and Handle to Pole using #3X10mm Pan Head Screws.

**STEP 4**

Loosely attach the Side Bracket to Rail Adjustable with M8X35mm bolts by Using Hex Key.

**DO NOT TIGHTEN M8 BOLTS UNTIL STEP 5**

**STEP 5**

Adjust the Wardrobe Rail length and twist it to lock it. After adjusted to desired width, tighten M8 Bolts from STEP 4.

