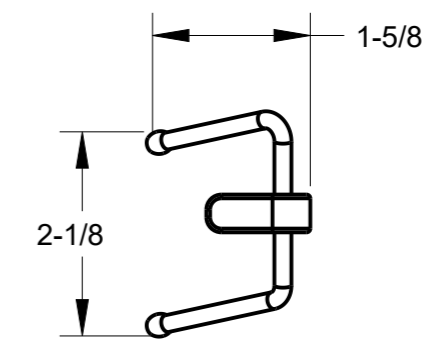
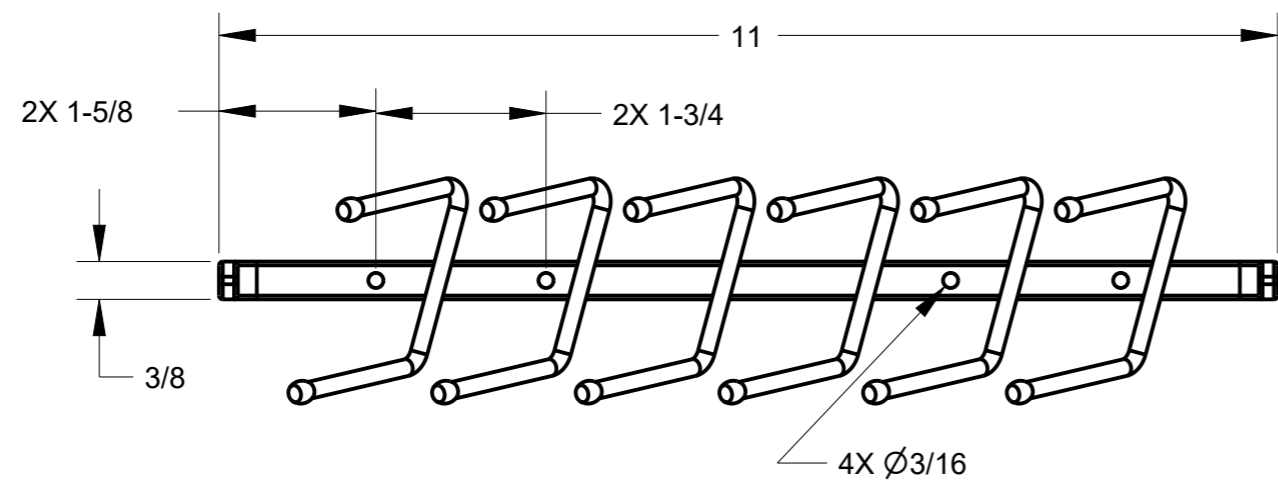
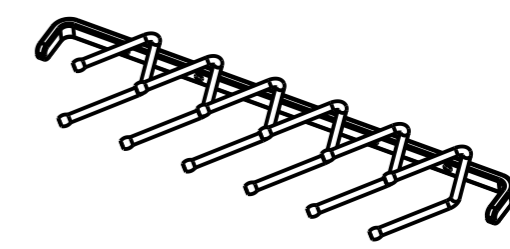


NOTES:
 1. SEE CATALOG FOR FINISHES.



HARDWARE RESOURCES RESERVES THE RIGHT TO CHANGE SPECIFICATIONS WITHOUT NOTICE. IN CASE OF A DISCREPANCY, ACTUAL PART GEOMETRY SUPERSEDES THIS DOCUMENT.

THE INFORMATION CONTAINED WITHIN THIS DRAWING IS THE SOLE PROPERTY OF HARDWARE RESOURCES INC. ANY REPRODUCTION IN PART OR WHOLE WITHOUT WRITTEN PERMISSION OF HARDWARE RESOURCES INC. IS PROHIBITED.

DOCUMENT STATUS Released		DESCRIPTION		
UNLESS OTHERWISE SPECIFIED DIMENSIONS ARE IN INCHES (IN)		TIE RACK, SCREW MOUNT		
MATERIAL STEEL	FINISH SEE NOTES	DRAWING NUMBER 296T		REV A
THIRD ANGLE PROJECTION		SIZE A3	SCALE 0.500	SHEET 1 / 1
		DATE 02MAR2023		