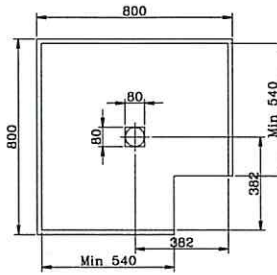


INSTALLATION INSTRUCTION for CS-ES360

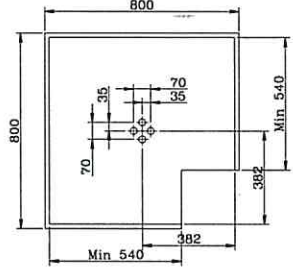
	Type	Q'ty	Type	Q'ty
A		1pc	B	1pc
C		1pc	D	1pc
E		4pcs	F	4pcs

Step 1: Use attached pattern to find out the screw holes for mechanism.

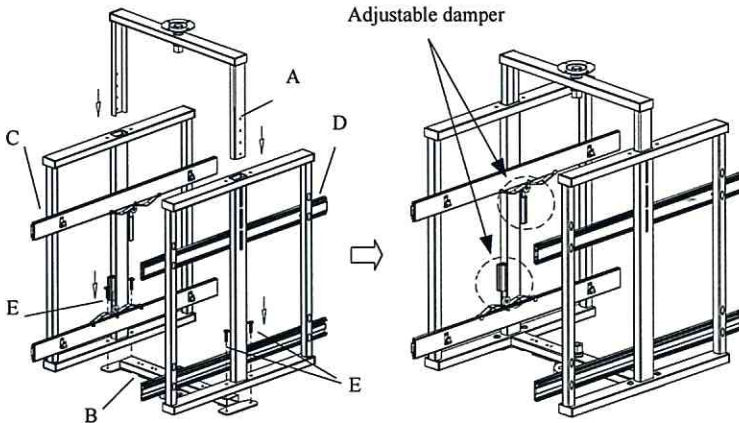
Screw Holes on Top Board.



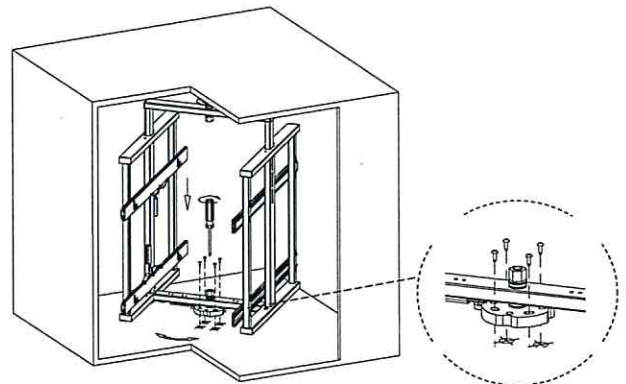
Screw Holes on Bottom Board.



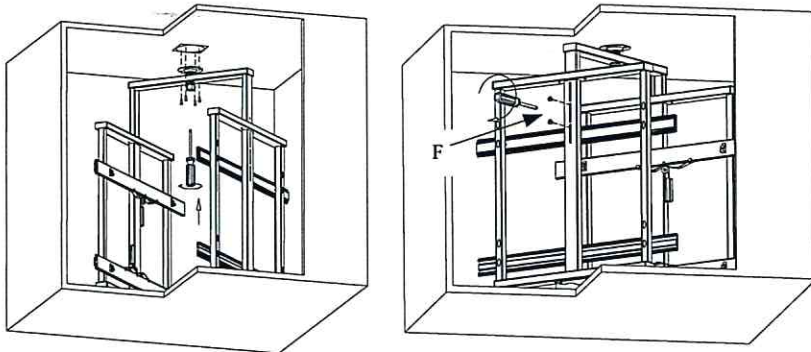
Step 2: Assembling



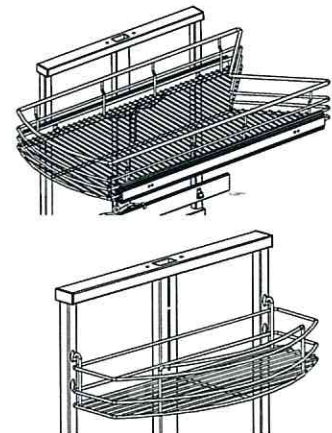
Step 3: Screw the revolving base on bottom of cabinet.



Step 4: Pull the adjustable frame to top of cabinet, use screw F to fix A and C and D.



Step 5: Clip on basket.



Step 6: Finished

Pie-Cut type

Full-Round type

