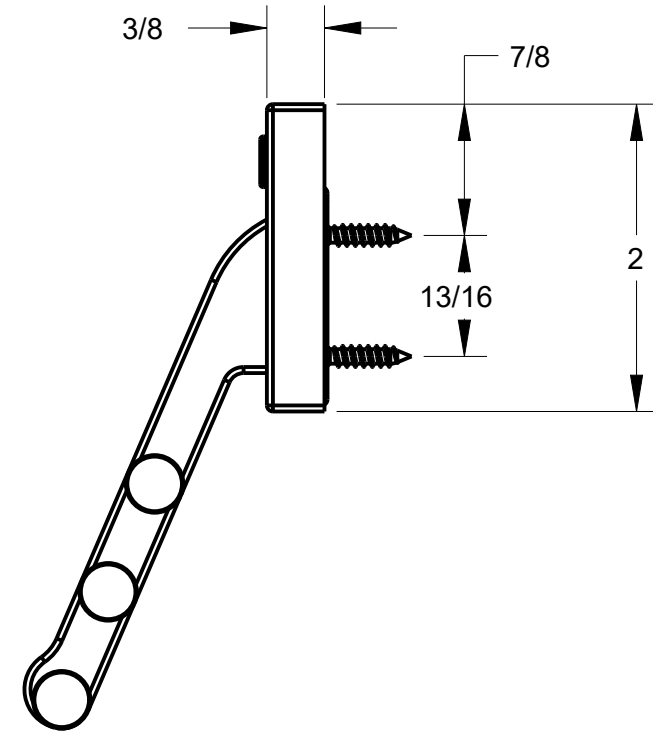
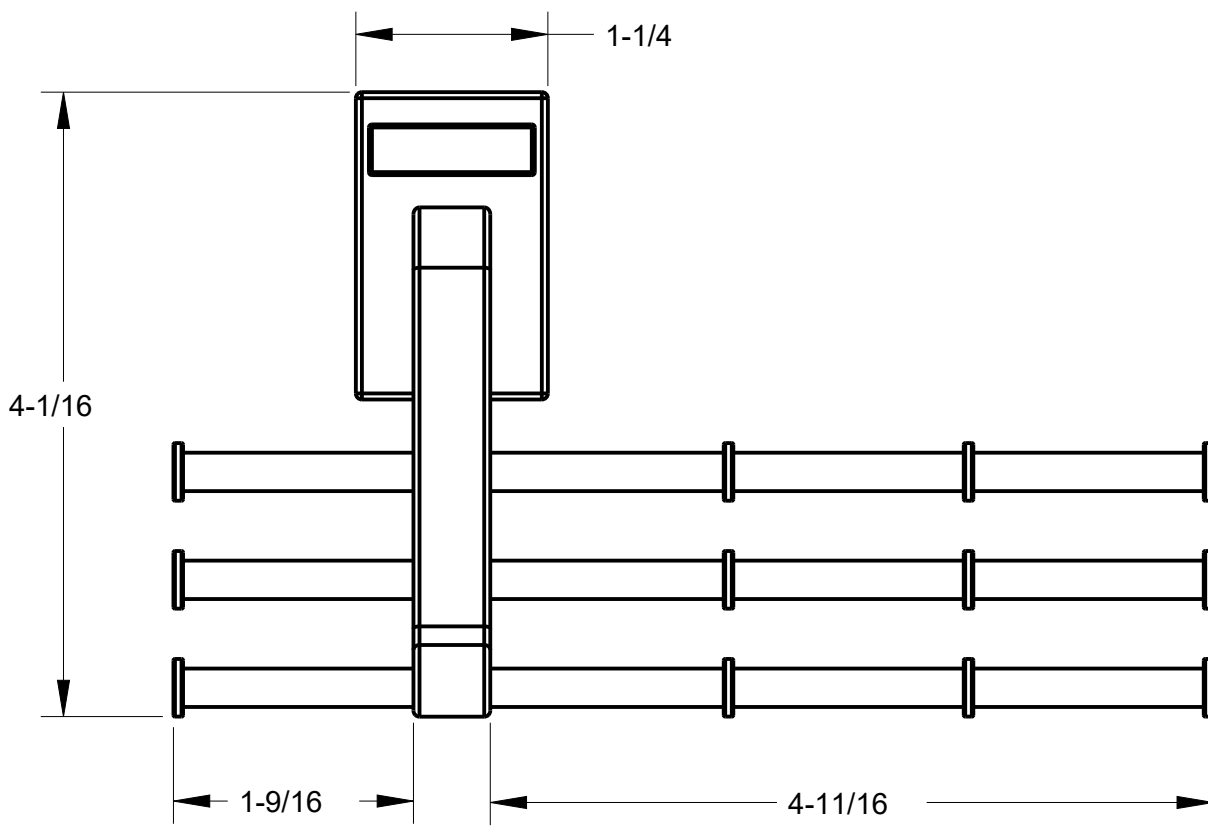
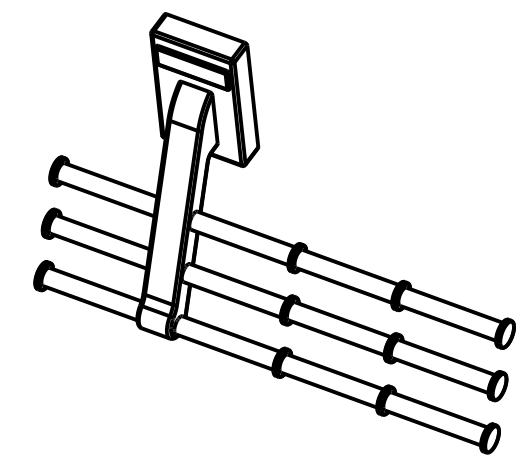
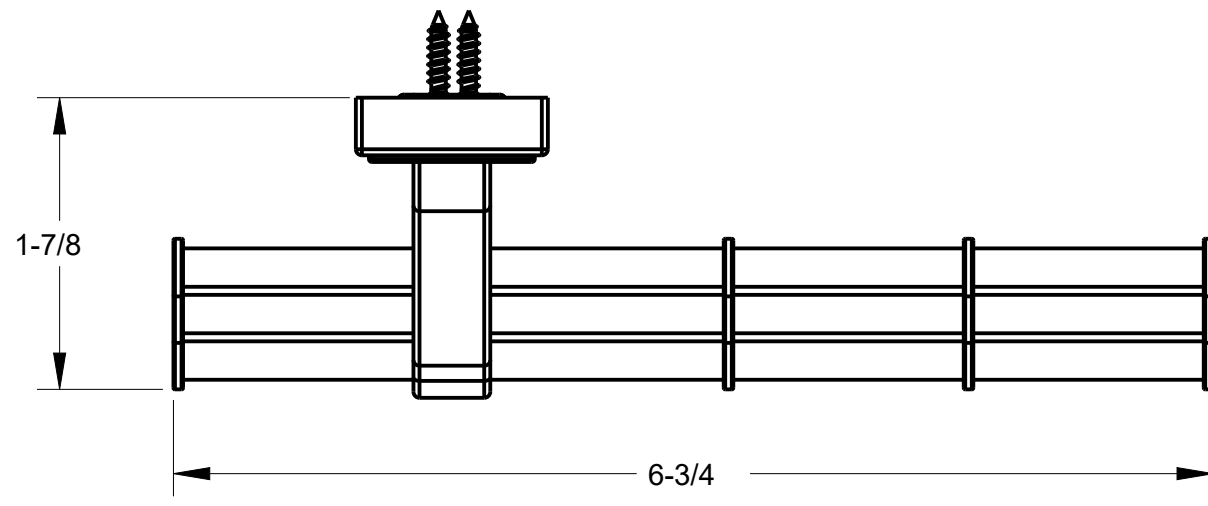


8 7 6 5 4 3 2 1

F
E
D
C
B
A

F
E
D
C
B
A



HR ITEM NUMBER	FINISH
356T-DBAC	BRUSHED OIL RUBBED BRONZE
356T-PC	POLISHED CHROME
356T-SN	SATIN NICKEL



HARDWARE RESOURCES RESERVES THE RIGHT TO CHANGE SPECIFICATIONS WITHOUT NOTICE. IN CASE OF A DISCREPANCY, ACTUAL PART GEOMETRY SUPERSEDES THIS DOCUMENT.

THE INFORMATION CONTAINED WITHIN THIS DRAWING IS THE SOLE PROPERTY OF HARDWARE RESOURCES INC. ANY REPRODUCTION IN PART OR WHOLE WITHOUT WRITTEN PERMISSION OF HARDWARE RESOURCES INC. IS PROHIBITED.

DOCUMENT STATUS Released	
UNLESS OTHERWISE SPECIFIED DIMENSIONS ARE IN INCHES (IN)	
MATERIAL N/A	FINISH SEE TABLE
THIRD ANGLE PROJECTION 	DATE 13FEB2023

DESCRIPTION TIE ORGANIZER, TRI-LEVEL		
DRAWING NUMBER 356T		REV A
SIZE A3	SCALE 0.800	SHEET 1 / 1

8 7 6 5 4 3 2 1