

# Valve Only Trim

Garniture robinet seulement  
Pieza exterior para válvula

Product Specifications

LUXART®



## AERRO® A511TLSHV-CP A511TLSHV-BN

### FEATURES

- Requires 1800V, 1800V-LS, 1800V-PEXH or 1800V-PEXV Rough-In Valve
- Coordinates with Aerro Suite
- Metal Lever Handle
- 100% Factory Pressure Tested

### CARACTÉRISTIQUES

- Valve de robinetterie brute 1800V, 1800V-LS, 1800V-PEXH ou 1800V-PEXV requise
- Coordonné avec l'ensemble Aerro
- Levier en métal
- Pression vérifiée en usine- 100%

### CARACTERÍSTICAS

- Válvula enfoscada 1800V, 1800V-LS, 1800V-PEXH o 1800V-PEXV requerida
- Coordina con la suite de Aerro
- Manija de metal
- Probado en fábrica bajo presión al 100%

### APPLICABLE STANDARDS/CODES

Specified model meets or exceeds the following:

### NORMES ET CODES APPLICABLES

Le modèle spécifié est conforme aux normes suivantes ou les dépasse:

### NORMAS Y ESTÁNDARES APLICABLES

El modelo especificado reúne o sobrepasa las siguientes condiciones

- ASME A112.18.1/CSA B125.1
- IAPMO/cUPC
- ADA

### AVAILABLE FINISHES / FINIS OFFERTS / DISTINTOS ACABADOS:

- Polished Chrome / Chrome poli / Cromo lustrado (CP)
- PVD Brushed Nickel / PVD Nickel brossé / PVD Níquel cepillado (BN)



Contact your sales representative for more information or visit our website at [luxartcollection.com](http://luxartcollection.com)

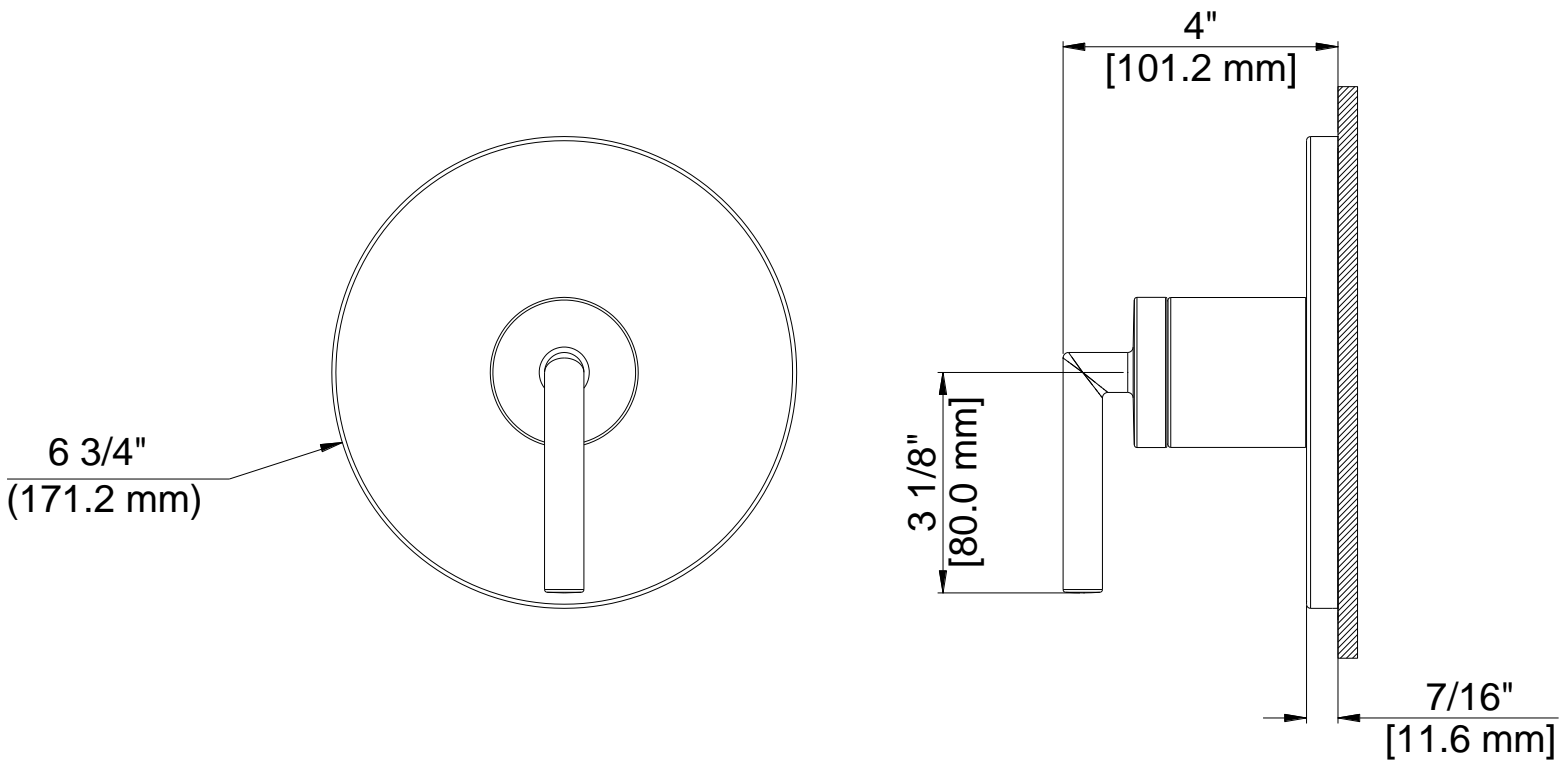
# Valve Only Trim

Garniture robinet seulement  
Pieza exterior para válvula

Product Specifications

LUXART®

**AERRO®**  
A511TLSHV-CP  
A511TLSHV-BN



Contact your sales representative for more information or visit our website at [luxartcollection.com](http://luxartcollection.com)

Revised 11/20/2020